



HVBAN[®]

AIRLESS
SPRAYER
PRECISION IN EVERY SPRAY




www.hvbansprayer.com
www.airless-sprayer.com

PLS scan the QR code to visit our website for more INFO.
And you can find us through all social media avenues as well.

FUZHOU HVBAN MECHANICAL EQUIPMENTS CO. LTD.

 No. 2 Plant, Mawei Sci-Tech Innovation Center,
No. 56 Kuaizhou Road Liando U Valley,
Mawei Town, Mawei District, Fuzhou, Fujian, China

 0086-591-87913317

 0086-591-88067287

 hb@airless-sprayer.com



PRODUCT

CATALOGUE (2026)

PRECISION
IN EVERY SPRAY

Over **20** Years, We Have Long Focused on delivering
the Solutions of High-Pressure Fluid Equipments.



Experience the artistry of precision with HVBAN,
where each spray transforms into a masterpiece of perfection.

ABOUT

HVBAN is a professional fluid equipment manufacturer, that integrates development and production. We specialize in manufacturing all types of airless paint sprayers and related products over 20 years of experience.

HVBAN VS. INTERNATIONAL BRANDS
HIGH QUALITY & STABLE PROFITABILITY

Adhering to the highest quality standards, HVBAN distinguishes itself by emphasizing high profitability. Implementing controlled pricing measures in each region, we limit the number of distributors to prevent malicious price competition within the area. This ensures market stability and prevents disruptions caused by chaotic pricing.

HVBAN VS. CHINESE MANUFACTURERS
PROUDLY "MADE IN CHINA", BUT MORE THAN JUST "MADE IN CHINA"

We distinguish ourselves from other Chinese manufacturers by consistently delivering products that not only meet but exceed industry benchmarks. Choosing HVBAN means choosing quality that competes on a global scale – we are more than just "Made in China."

CERTIFICATES

CE / ISO 9001 / EU Safety Certificate / Patents

We have more than 70 effective patents for inventions and utility models at home and abroad, and the conversion rate of scientific and technological achievements is more than 90%.



PROFESSIONAL | INNOVATION | RESPONSIBLE | WIN-WIN

Uncompromised Quality Assurance
At HVBAN, quality is paramount.

Innovative Self-Sufficiency in Production
Always at the forefront of technological advancements.

WHY WHY

Full-Inspections: Each machine undergoes rigorous inspection before leaving our factory, ensuring precision and reliability.

We meticulously select premium materials, including renowned components like Germany's INA bearings, Japan's IKO bearings, USA leather packings, and robust stainless steel, reflecting our commitment to delivering products of unparalleled quality and durability.



HVBAN boasts significant autonomy, producing the majority of components through our independent research and development efforts. This self-reliance not only ensures the uniqueness of our products but also places us at the forefront of technological advancements in fluid equipment manufacturing.

WHY HVBAN

Controlled Pricing Principles

At HVBAN, sustainable market environment is fundamental.

Two Decades of Global Expertise

HVBAN, Your Reliable Worldwide Partner.

WHY

WHY

Limited Distributorships: We restrict the number of distributors in each area to prevent excessive market competition and discourage predatory pricing practices. This approach safeguards the integrity of our pricing structure and fosters a healthy and sustainable market environment.

HVBAN Airless Sprayers have reached over 140 countries, a testament to our unwavering commitment to quality and customer satisfaction. Our extensive experience positions us as a reliable partner for worldwide businesses.



WHY HVBAN



AIRLESS
SPRAYER
PRECISION
IN EVERY SPRAY

LET'S EMBARK ON
A JOURNEY THROUGH
THE AIRLESS SPRAYER OF HVBAN ...

CONTENTS

03 - 36	ELECTRIC Airless Sprayer
40 - 42	FOAM Spray Foam Machine
46 - 48	GASOLINE ENGINE Airless Sprayer
52 - 54	HYDRAULIC Airless Sprayer
59 - 68	PNEUMATIC Airless Sprayer
72 - 88	LINE STRIPER Airless Sprayer
92	SPRAY GUN Accessories
93 - 94	OTHER Accessories

P R E C I S I O N I N E V E R Y S P R A Y

EL **CTRIC**



EL **CTRIC**

LF19/A1/A2/A3

EP 230/270/310

EP 350/450TX/850TX/970TX

EP 7240/7240-II/7285

EP 3135

ELECTRIC AIRLESS S P R A Y E R



Model Type	LF19	A1	A2	A3	EP 230	EP 270	EP 310	EP 7240	EP 7240-II	EP 350	EP 450TX	EP 850TX	EP 970TX	EP 728S/EP 7285 Pro	EP 3135	
Max. Flow Rate	1.9L/min	1.9L/min	2.1L/min	2.3L/min	2.3L/min	2.7L/min	3.1L/min	4.0L/min	4.0L/min	4.0L/min	6.0L/min	7.6L/min	9.0L/min	10.0 / 11.3 L/min	25.0L/min	
Max. Working Pressure	19Mpa / 2750psi	20Mpa / 2900psi	20Mpa / 2900psi	23Mpa / 3336psi	23Mpa / 3336psi	23Mpa / 3336psi	23Mpa / 3336psi	23Mpa / 3336psi	23Mpa / 3336psi	23Mpa / 3336psi	23Mpa / 3336psi	23Mpa / 3336psi	23Mpa / 3336psi	23Mpa / 3336psi	6Mpa / 870psi	
Max. Nozzle Size	0.021"	0.021"	0.021"	0.023"	0.021"	0.025"	0.029"	—	—	1 gun with 0.033"/ 2 guns with 0.019"	1 gun with 0.037"/ 2 guns with 0.023"	1 gun with 0.039"/ 2 guns with 0.027"	1 gun in 0.047"/ 2 guns in 0.029"	1 guns with 0.039"/ 2 guns with 0.031"	—	
Power Source	Brushless DC Motor	Brush Motor	Brush Motor	Brushless DC Motor	Brushless DC Motor	Brushless DC Motor	Brushless DC Motor	Brushless DC Motor	Brushless DC Motor	Brushless DC Motor	Brushless DC Motor	Brushless DC Motor	Brushless DC Motor	Brushless DC Motor	Brushless DC Motor	
Power Type	220V,50-60HZ	110/220V,50-60HZ	110/220V,50-60HZ	110/220V,50-60HZ	110/220V,50-60HZ	110/220V,50-60HZ	110/220V,50-60HZ	110/220V,50-60HZ	110/220V,50-60HZ	110/220V,50-60HZ	110/220V,50-60HZ	220V,50-60HZ	220V,50-60HZ	220V,50-60HZ	220V,50-60HZ	
Dynamic Power	800W / 1HP	750W / 1HP	900W / 1.2HP	1300W / 1.7HP	1300W / 1.7HP	1500W / 2.0HP	2200W / 3.0HP	2200W / 3.0HP	2200W / 3.0HP	2500W / 3.4HP	3000W / 4.0HP	4000W / 5.4HP	4500W / 6.0HP	4000W / 5.4HP	3500W / 4.7HP	
Motor Speed	5300	4200	4200	5500	4800	4800	4600	4800	4800	5300	4900	5100	4800	5300	5100	
Gross Weight	22kgs	22kgs	22kgs	22kgs	22kgs	23kgs	24kgs	28kgs	32kgs	67kgs	69kgs	72kgs	75kgs	72kgs	90kgs	
Package Size	42x 50x 54cm	42x 50x 54cm	42x 50x 54cm	42x 50x 54cm	42x 50x 54cm	42x 50x 54cm	42x 50x 54cm	56x 40x 61cm	56x 40x 61cm	70x 56x 87cm	70x 56x 87cm	70x 56x 87cm	70x 56x 87cm	70x56x87cm	103x73x105cm	
Package Include	Hose	1/4" x 15m	1/4" x 15m	1/4" x 15m	1/4" x 15m	1/4" x 15m	1/4" x 15m	—	—	3/8" x15m & 1/4" x 1.2m	3/8" x15m & 1/4" x 1.2m	3/8" x15m & 1/4" x 1.2m	3/8" x15m & 1/4" x 1.2m	3/8" x15m & 1/4" x 1.2m	10m	
	Pole	7/8" x 50cm	7/8" x 50cm	7/8" x 50cm	7/8" x 50cm	7/8" x 50cm	7/8" x 50cm	7/8" x 50cm	7/8" x 50cm	7/8" x 75cm	7/8" x 75cm	7/8" x 75cm	7/8" x 75cm	7/8" x 75cm	—	
	Gun	GUN x 1	GUN x 1	GUN x 1	GUN x 1	GUN x 1	GUN x 1	GUN x 2	GUN x 2	GUN x 1	GUN x 1	GUN x 1	GUN x 1	AS8000 / GUN x 2	GUN x 1	
	Tip	517 x 1	517 x 1	517 x 1	519 x 1	519 x 1	521 x 1	525 x 1	525 x 2	525 x 2	529 x 1	531 x 1	533 x 1	639x 1	531 x 2	—
	Tool	Tool kit	Tool kit	Tool kit	Tool kit	Tool kit	Tool kit	Tool kit	Tool kit	Tool kit	Tool kit	Tool kit	Tool kit	Tool kit	Tool kit	Tool kit
Material Applications	Low viscosity materials like latex. Ideal for interior & exterior of residential areas spraying	Low viscosity materials like latex. Ideal for interior & exterior of residential areas spraying	Low viscosity materials like latex. Ideal for interior & exterior of residential areas spraying	Low viscosity materials like latex. Ideal for interior & exterior of residential areas spraying	Low viscosity materials like latex. Ideal for interior & exterior of residential areas spraying	Low-Medium viscosity materials like latex & acrylic paint, enamels. Ideal for interior & exterior of residential areas spraying	Low-Medium viscosity materials like latex & acrylic paint, enamels. Ideal for interior & exterior of residential areas spraying	Low-Medium viscosity materials like latex & acrylic paint, enamels. Ideal for interior & exterior of residential areas spraying	Low-Medium viscosity materials like latex & acrylic paint, enamels. Ideal for interior & exterior of residential areas spraying	Medium-high viscosity paint like primer, acrylics, latex, porcelain glaze, putty, elastomeric coating	Medium-high viscosity paint like primer, acrylics, latex, porcelain glaze, putty, elastomeric coating	Medium-high viscosity paint like primer, acrylics, latex, porcelain glaze, putty, elastomeric coating	Medium-high viscosity paint like primer, acrylics, latex, porcelain glaze, putty, elastomeric coating	Medium-high viscosity paint like primer, acrylics, latex, porcelain glaze, putty, elastomeric coating	Medium-high viscosity paint like primer, acrylics, latex, porcelain glaze, putty, stucco, EIFS, elastomeric coating	

**IMPROVE EFFICIENCY
ACHIEVE HIGH PRODUCTIVITY**



ELECTRIC Airless Sprayer
LITEFLEX LF19

PERFECT FINISHING

For Small Projects

Delivery (L/min)
• 1.9



For More Details : www.hvbansprayer.com / www.airless-sprayer.com

ELECTRIC

LiteFlex



ELECTRIC AIRLESS SPRAYER
LITEFLEX LF19

LiteFlex series AIRLESS SPRAYER

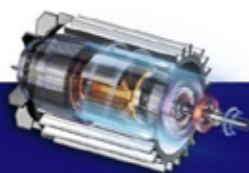
Electric POWERED

HVBAN designed the LF19 with reliability and flexibility in mind. It borrows the core performance features from airless sprayers for heavy-duty jobs, such as brushless DC motor, professional drive housing with Japanese NST bearings and 1.9LPM flow rate, but adds thoughtful touches tailored for finishing contractors.

Whether you're refreshing a single room or tackling a whole house project, this sprayer adapts to your needs. It's that sweet spot upgrade for anyone looking to move beyond current tools.



LiteFlex series | THE UNIQUE ADVANTAGES



Powerful & Efficient Brushless DC Motor

- Delivers consistent power with long-lasting performance.
- Free maintenance and extended motor lifespan for reliable operation.



- LITEFLEX - Piston Pump Assembly

- Minimal deadband pressure ensures a smooth and professional finish.
- High-durability piston pump designed for long life and reliable performance.



Advantage Drive

- Features high-precision gears and Japanese NST bearings for exceptional durability.
- Simplified transmission system for smoother operation and longer lifespan.
- Japanese lubricating grease provides excellent antioxidation and thermal stability, protecting critical components.



DURABLE & LIGHTWEIGHT NITRILE RUBBER SUCTION TUBE

- Made of high-quality nitrile rubber for superior durability and flexibility.
- More lightweight than traditional materials, reducing overall weight for easier handling.
- Excellent resistance to wear, chemicals, and aging for long-lasting performance.



Dual Usage - Hopper & Suction Tube

- Use with the 5.2L hopper for small projects and quick setups.
- Easily switch to a suction tube for larger jobs and extended spraying.



Easy Cleaning & Spill-Proof Design

- Smooth interior surface of the hopper allows for quick and easy cleanup.
- Secure lid keeps material from spilling, ensuring mess-free portability.



Extremely Portable

- Lighter and easy to carry anywhere.
- Compact Design for effortless transportation.
- Secure lid design prevents spills and splashes while moving.

SUCTION TUBE TYPE



HOPPER TYPE



LiteFlex series | TECHNICAL SPECIFICATIONS

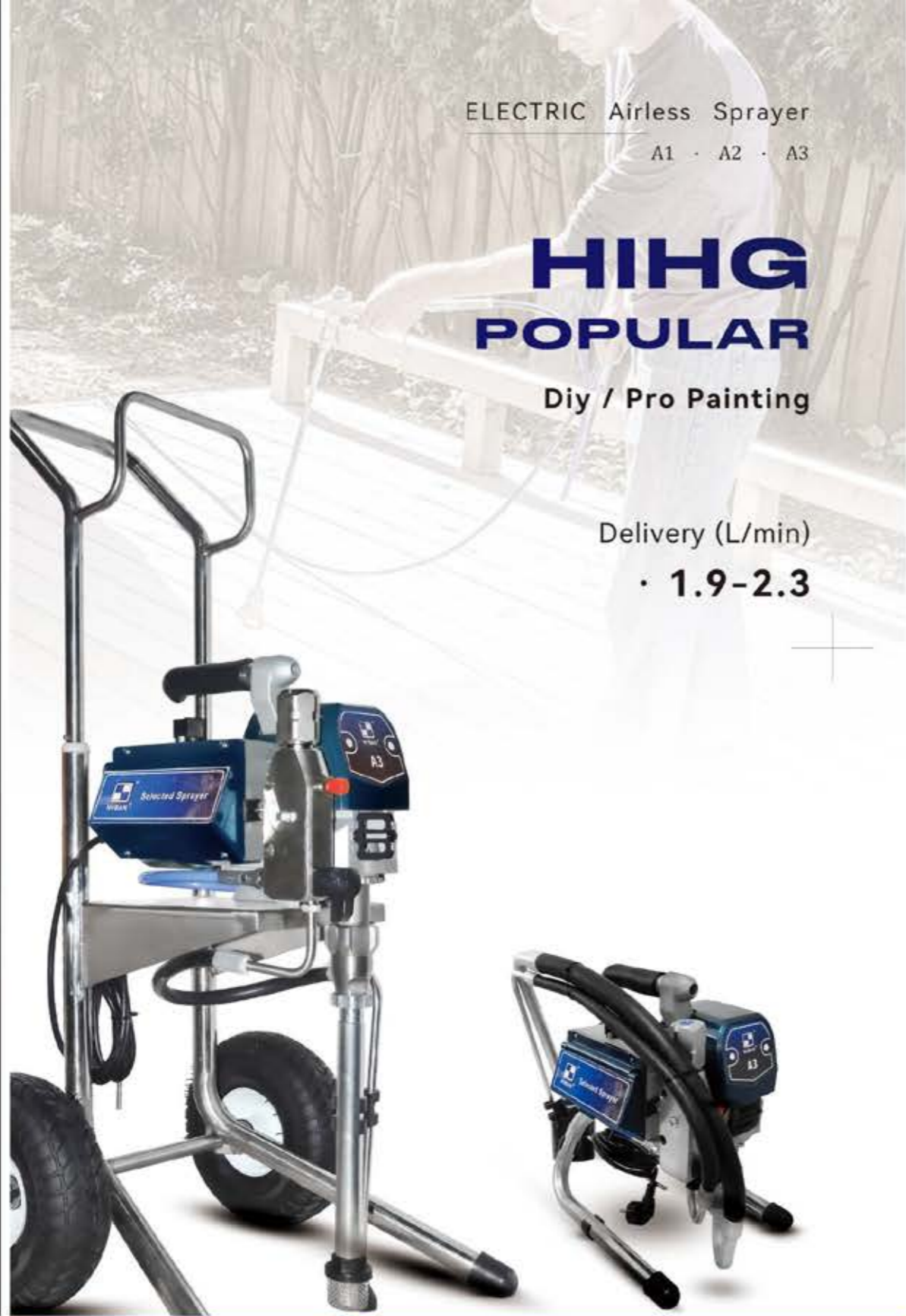
MODEL TYPE	SPRAYER TYPE	POWER TYPE	DYNAMIC POWER	FLOW DELIVERY	WORKING PRESSURE	MAX. NOZZLE SIZE	OPTIONAL
LF 19	Professional	220V 50/60HZ	800W	1.9 L/min	19 Mpa 2750 psi	0.021"	Hopper



PLS scan the QR code for more INFO.



A1 · A2 · A3
 ELECTRIC AIRLESS SPRAYER



ELECTRIC Airless Sprayer

A1 · A2 · A3

HIHG POPULAR

Diy / Pro Painting

Delivery (L/min)

· 1.9-2.3

For More Details : www.hvbansprayer.com / www.airless-sprayer.com



ELECTRIC

Small & Smart



Small & Smart series AIRLESS SPRAYER

Electric POWERED

HVBAN Small&Smart Electric Airless Paint Sprayer is one of the best tools to help paint your job faster. Besides less time spent on the job, you are also assured of a smooth and mirror-like finish on your painting surface because the paint sprayer atomizes the paint to achieve such a finish.

Portable Airless sprayer pumps can be used for a wide range of coating materials, including interior and exterior jobs, and can easily be transported from one place to another.



Small & Smart series | THE UNIQUE ADVANTAGES



Long Life Brushless DC Motor

(A3)

- Improved control and performance
- Maintenance-free and longer lifespan

Optimized Pump Assembly

- Long life strictly selected American packings and a chrome rod.
- V Packings crafted from premium American-imported leather offers superior durability and performance. Unlike commonly used Chinese packings, these packings boast higher abrasion resistance, better sealing capabilities, and stronger resistance to high pressure.
- Achieve quicker cleaning with the intake valve.
- Designed to withstand continuous high-intensity operation, ensuring long-lasting reliability for your sprayer.
- The inlet and outlet valves of the pump body are made of tungsten steel hard alloy, ensuring the machine's solidity and durability.

Aviation Aluminum Filter

- Easy maintenance, less clogging
- The inside-out filtering process guarantees a high-quality finish
- Possessing outstanding mechanical performance and corrosion resistance, ensures excellent stability even during prolonged and continuous spraying operations, thereby extending machine lifespan and enhancing work efficiency.

Advantage Drive

- The longest-lasting drive
- Using premium lubricating grease with excellent antioxidation and thermal stability protects critical gear components, preventing premature wear and effectively extending equipment lifespan.

Automatic Protection System

In case of abnormal working pressure (typically when the pressure exceeds safe levels), the machine automatically depressurizes to ensure user safety.

Smart Control (A3 & A3 S)

- Equipped with a digital smart pressure control system as standard, allowing for real-time monitoring of equipment operating pressure. It offers swift and precise pressure adjustment response to adapt quickly to changes in spraying conditions.
- Continuous upgradability is supported, meeting the personalized customization needs of customers.

Robust Stainless Steel Frame

- Durable in harsh conditions with thickened, hardened stainless steel.

Long Lasting Hose Accessories

Both the drain hose and the suction tube are made of triple-layer material, offering corrosion resistance and acid-alkali resistance. They are more durable compared to PVC tubes of similar products.

A1



A2



A3



Small & Smart series | TECHNICAL SPECIFICATIONS

MODEL TYPE	SPRAYER TYPE	POWER TYPE	DYNAMIC POWER	FLOW DELIVERY	WORKING PRESSURE	MAX. NOZZLE SIZE	OPTIONAL
A1	Diy / Pro	110/220V 50/60HZ	750W	1.9 L/min	20 Mpa 2900 psi	0.021"	Hi-Cart
A2	Professional	110/220V 50/60HZ	900W	2.1 L/min	20 Mpa 2900 psi	0.021"	Hi-Cart
A3	Professional	110/220V 50/60HZ	1300W	2.3 L/min	23 Mpa 3336 psi	0.023"	Hi-Cart



PLS scan the QR code for more INFO.

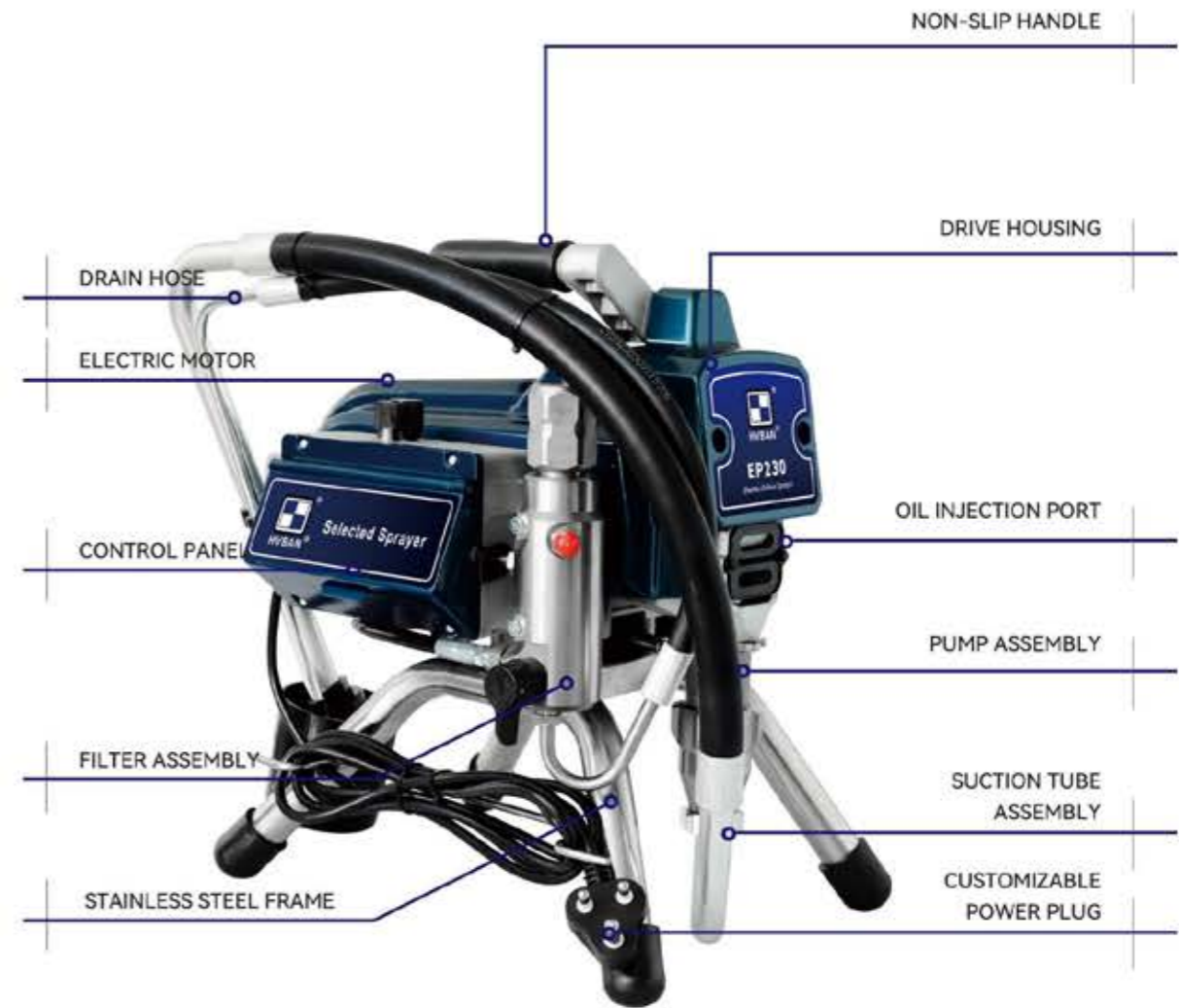


ELECTRIC Airless Sprayer
 EP 230 · EP 270 · EP 310

FOR PRO PAINTING

Ideal For Any Size Painting Project

Delivery (L/min)
 · 2.3-3.1



For More Details : www.hvbansprayer.com / www.airless-sprayer.com

ELCTRIC

Fine FINISH



Fine FINISH AIRLESS SPRAYER

Electric POWERED

We offer a diverse range of professional Electrical Airless Paint Sprayers suitable for both small and medium coating projects. Our products range from Portable Series to ProjectPro Series, each equipped with high-performing, reliable, and long service life features that ensure a smooth and efficient painting experience.



Fine FINISH series | THE UNIQUE ADVANTAGES



Long Life Brushless DC Motor

- Improved control and performance
- Maintenance-free and longer lifespan

Optimized Pump Assembly

- Long life strictly selected American packings and a chrome rod.
- V Packings crafted from premium American-imported leather offers superior durability and performance. Unlike commonly used Chinese packings, these packings boast higher abrasion resistance, better sealing capabilities, and stronger resistance to high pressure.
- Achieve quicker cleaning with the intake valve.
- Designed to withstand continuous high-intensity operation, ensuring long-lasting reliability for your sprayer.
- The inlet and outlet valves of the pump body are made of tungsten steel hard alloy, ensuring the machine's solidity and durability.

Aviation Aluminum Filter

- Easy maintenance, less clogging
- Inside-out filtering process guarantees a high-quality finish
- Utilizing Aviation Aluminum Filter, with strength 2.4 times greater than that of rival brands
- Possessing outstanding mechanical performance and corrosion resistance, ensures excellent stability even during prolonged and continuous spraying operations, thereby extending machine lifespan and enhancing work efficiency.

Advantage Drive

- The longest-lasting drive
- Reliable performance and a lifetime of use are ensured by five-level grinding gears with reinforced steel
- Imported Japanese IKO bearings, and German INA bearings ensure smooth and reliable transmission even under high-intensity conditions, resulting in fewer equipment failures. This enhances the reliability and durability of your operations.
- Using premium lubricating grease with excellent antioxidation and thermal stability protects critical gear components, preventing premature wear and effectively extending equipment lifespan.

Updated Structure of the Drive Housing

- Optimized Drive Housing Structure Design
- Provide Diverse Experiences of the Operation

Automatic Protection System

In case of abnormal working pressure (typically when the pressure exceeds safe levels), the machine automatically depressurizes to ensure user safety.

Smart Control

- Equipped with a digital smart pressure control system as standard, allowing for real-time monitoring of equipment operating pressure. It offers swift and precise pressure adjustment response to adapt quickly to changes in spraying conditions.
- Continuous upgradability is supported, meeting the personalized customization needs of customers.

Robust Stainless Steel Frame

- Durable in harsh conditions with thickened, hardened stainless steel (diameter: 32mm, thickness: 2mm)
- Enhanced stability ensured by a four-legged stand.

Long Lasting Hose Accessories

Both the drain hose and the suction tube are made of triple-layer material, offering corrosion resistance and acid-alkali resistance. They are more durable compared to PVC tubes of similar products.

EP 230

EP 270

EP 310



Fine FINISH series | TECHNICAL SPECIFICATIONS

MODEL TYPE	SPRAYER TYPE	POWER TYPE	DYNAMIC POWER	FLOW DELIVERY	WORKING PRESSURE	MAX. NOZZLE SIZE	OPTIONAL
EP 230	Professional	110/220V 50/60HZ	1300W	2.3 L/min	23 Mpa 3336 psi	0.021"	Hi-Cart / Hopper
EP 270	Professional	110/220V 50/60HZ	1500W	2.7 L/min	23 Mpa 3336 psi	0.025"	Hi-Cart / Hopper
EP 310	Professional	110/220V 50/60HZ	2200W	3.1 L/min	23 Mpa 3336 psi	0.029"	Hi-Cart / Hopper



PLS scan the QR code for more INFO.

OPTIONAL PARTS | A1/A2/A3/A3 S EP230/EP270/EP310



Paint Hopper

- Color : Black
- Material : PE
- Capacity : 5.2 L



OPTIONAL Hi-Cart

Hi-Cart Upgraded
More Portable & High Efficiency

Suitable For All Models Of Stand Type Products

- Smart & Small Series A1/A2/A3/A3 S
- Fine Finish Series EP230/EP270/EP310



OPTIONAL Hopper



Gravity Feed Hopper Assembly Upgraded
Improve Your Diy or Pro Project

Suitable For All Models Of Stand Type Products

- Smart & Small Series A1/A2/A3/A3 S
- Fine Finish Series EP230/EP270/EP310



OPTIONAL PARTS | A1/A2/A3/A3 S EP230/EP270/EP310



PORTABLE CART

3

OPTIONAL

Portable Cart

Quick Lock The Frame
Quick Transfer Any Time

Suitable For
- Fine Finish Series EP230/EP270/EP310



POWER DEFENDER

4

OPTIONAL

Power Defender

Dual-Led & Buzzer Alarms
Protect Your & Your Device

Suitable For All Models Of Stand Type Products
- Smart & Small Series A1/A2/A3/A3 S
- Fine Finish Series EP230/EP270/EP310

ELECTRIC AIRLESS SPRAYER

EP 350 · EP 450TX · EP 850TX · EP 970TX

ELECTRIC Airless Sprayer

EP 350 · EP 450TX · EP 850TX · EP 970TX

THE ONE AND ONLY

Selected for Pro Painter

Delivery (L/min)
· 4.0-9.0



For More Details : www.hvbansprayer.com / www.airless-sprayer.com



ELECTRIC

Heavy DUTY



Heavy DUTY series AIRLESS SPRAYER

Electric POWERED

With a brushless DC motor, HYBAN Heavy Duty electric sprayer provides dependable performance for the professional remodeling and repainting contractor who sprays a wide variety of coatings with a variety of tip sizes. It is mainly for high-viscosity materials like Putty, Drywall Mud, Plaster, Skim coating, also spray for heavy industrial coatings.



Heavy DUTY series | THE UNIQUE ADVANTAGES

Long Life Brushless DC Motor

- Improved control and performance
- Maintenance-free and longer lifespan

Optimized Pump Assembly

- Long life strictly selected American packings and a chrome rod.
- V Packings crafted from premium American-imported leather offers superior durability and performance. Unlike commonly used Chinese packings, these packings boast higher abrasion resistance, better sealing capabilities, and stronger resistance to high pressure.
- Achieve quicker cleaning with the intake valve
- Designed to withstand continuous high-intensity operation, ensuring long-lasting reliability for your sprayer.

• The inlet and outlet valves of the pump body are made of tungsten steel hard alloy, ensuring the machine's solidity and durability.

Aviation Aluminum Filter

- Easy maintenance, less clogging
- Inside-out filtering process guarantees a high-quality finish
- Utilizing Aviation Aluminum Filter, with a strength 2.4 times greater than that of rival brands
- Possessing outstanding mechanical performance and corrosion resistance, ensures excellent stability even during prolonged and continuous spraying operations, thereby extending machine lifespan and enhancing work efficiency.

Advantage Drive

- The longest-lasting drive
- Reliable performance and a lifetime of use are ensured by five-level grinding gears with reinforced steel
- Imported Japanese IKO bearings, and German INA bearings ensure smooth and reliable transmission even under high-intensity conditions, resulting in fewer equipment failures. This enhances the reliability and durability of your operations.
- Using Japanese lubricating grease with excellent antioxidation and thermal stability protects critical gear components, preventing premature wear and effectively extending equipment lifespan.

Automatic Protection System

In case of abnormal working pressure (typically when the pressure exceeds safe levels), the machine automatically shuts down to ensure user safety.

Smart Control

- Equipped with a digital smart pressure control system as standard, allowing for real-time monitoring of equipment operating pressure. It offers swift and precise pressure adjustment response to adapt quickly to changes in spraying conditions.
- Continuous upgradability is supported, meeting the personalized customization needs of customers.

Robust Stainless Steel Frame

- Durable in harsh conditions with thickened, hardened stainless steel (diameter: 38mm, thickness: 2mm).
- Modular design, supporting the addition of a hose reel, enhanced the overall transport convenience of the machine.

Support Dual-Gun Spraying

- Greater versatility
- The overall performance is reliable, supporting simultaneous dual-gun spraying, suitable for a wider range of working conditions, and enhancing construction efficiency.

EP 350

EP 450TX

EP 850TX

EP 970TX



PLS scan the QR code for more INFO.

Heavy DUTY series | TECHNICAL SPECIFICATIONS

MODEL TYPE	SPRAYER TYPE	POWER TYPE	DYNAMIC POWER	FLOW DELIVERY	WORKING PRESSURE	Max. Nozzle Size	OPTIONAL
EP 350	Project	110/220V 50/60HZ	2500W	4.0 L/min	23 Mpa 3336 psi	1 gun with 0.033" 2 guns with 0.019"	Hose-Reel / Hopper
EP 450TX	Project	110/220V 50/60HZ	3000W	6.0 L/min	23 Mpa 3336 psi	1 gun with 0.037" 2 guns with 0.023"	Hose-Reel / Hopper
EP 850TX	Project	220V 50/60HZ	4000W	7.6 L/min	23 Mpa 3336 psi	1 gun with 0.039" 2 guns with 0.027"	Hose-Reel / Hopper
EP 970TX	Project	220V 50/60HZ	4500W	9.0 L/min	23 Mpa 3336 psi	1 gun with 0.047" 2 guns with 0.029"	Hose-Reel / Hopper



EP 7240 · EP 7240-II · EP 7285

ELECTRIC AIRLESS SPRAYER

ELECTRIC Airless Sprayer
EP 7240 · EP 7240-II · EP 7285

DUAL EFFICIENCY

Wide Range of Application

EP 7240 / EP 7240-II

Max.Delivery (L/min)

• 4.0 (Twin-Pump)

NEW DESIGN

Wide Range of Application

EP 7285 / EP 7285 Pro

Max.Delivery (L/min)

• 10.0 / 11.3 (Twin-Pump)

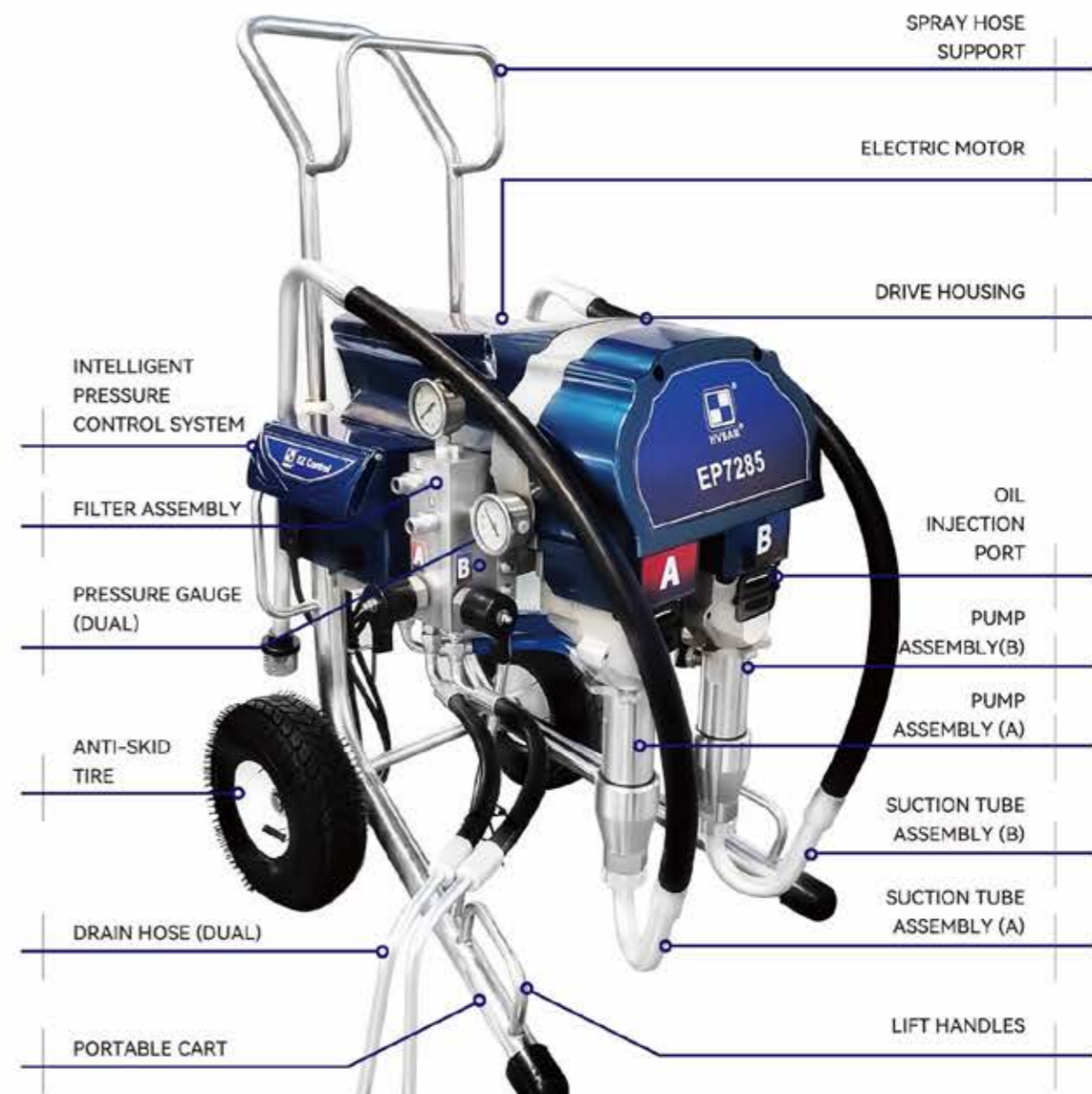
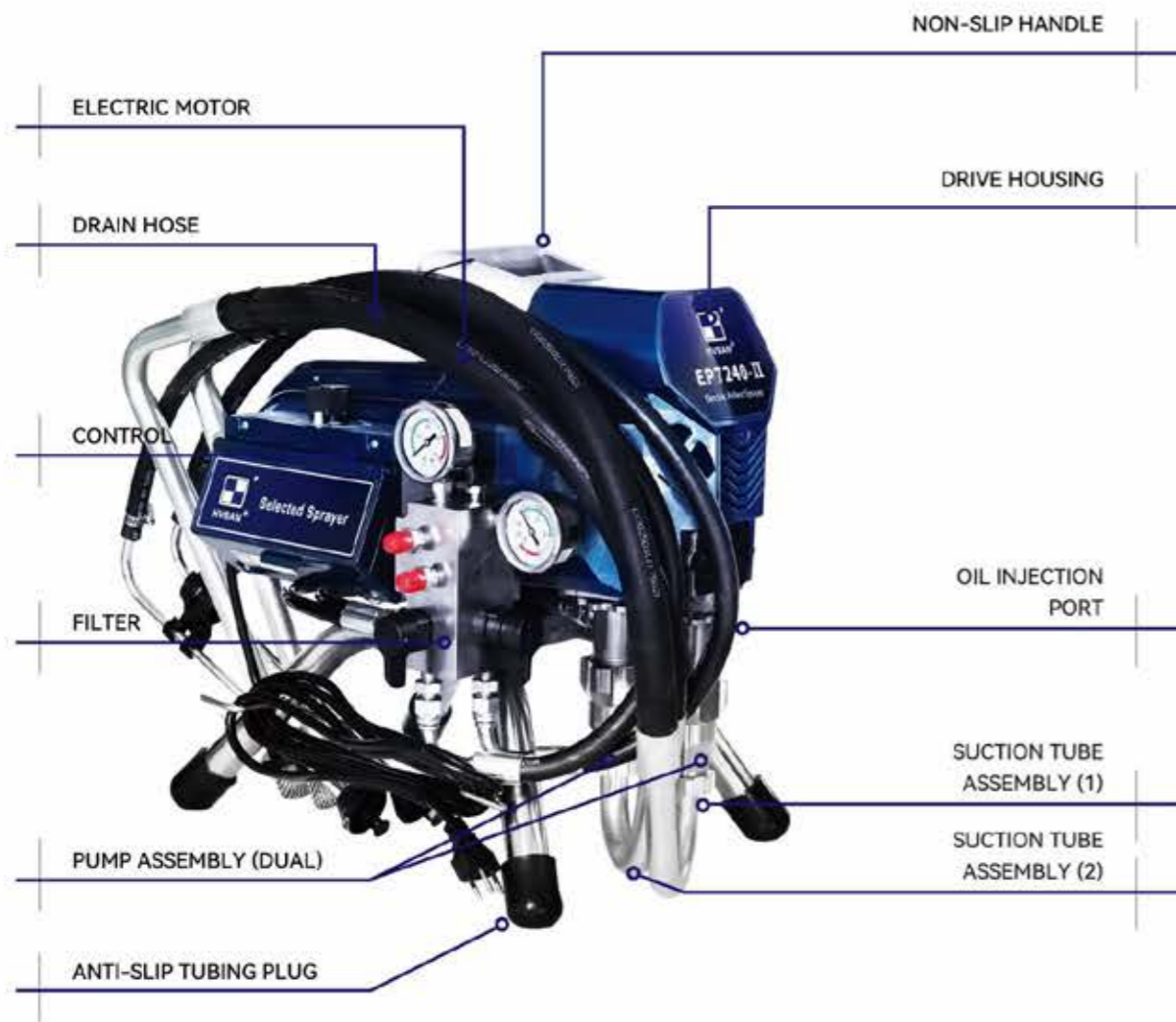


For More Details : www.hvbansprayer.com / www.airless-sprayer.com



ELECTRIC

Two COMPONENTS



Two COMPONENTS AIRLESS SPRAYER

Electric POWERED

The HVBAN Two-Component Airless Sprayer can spray both single-component and A/B two-component materials. Spraying single-component materials will help improve work efficiency.

Engineered with a unique structural design and a focus on user experience, our airless paint sprayers offer versatile solutions for painting in challenging working environments, to make your painting job much easier and more efficient.



Two COMPONENTS series | THE UNIQUE ADVANTAGES



Long Life Brushless DC Motor

- Improved control and performance
- Maintenance-free and longer lifespan

Optimized Pump Assembly

- Long life strictly selected American packings and a chrome rod.
- V Packings crafted from premium American-imported leather offers superior durability and performance. Unlike commonly used Chinese packings, these packings boast higher abrasion resistance, better sealing capabilities, and stronger resistance to high pressure.
- Achieve quicker cleaning with the intake valve.
- Designed to withstand continuous high-intensity operation, ensuring long-lasting reliability for your sprayer.
- The inlet and outlet valves of the pump body are made of tungsten steel hard alloy, ensuring the machine's solidity and durability.



Aviation Aluminum Filter

- Easy maintenance, less clogging.
- The inside-out filtering process guarantees a high-quality finish.
- Utilizing Aviation Aluminum Filter, with strength 2.4 times greater than that of rival brands.
- Possessing outstanding mechanical performance and corrosion resistance, ensures excellent stability even during prolonged and continuous spraying operations, thereby extending machine lifespan and enhancing work efficiency.

Advantage Drive

- The longest-lasting drive
- Reliable performance and a lifetime of use are ensured by five-level grinding gears with reinforced steel
- Imported Japanese IKO bearings, German INA bearings ensure smooth and reliable transmission even under high-intensity conditions, resulting in fewer equipment failures. This enhances the reliability and durability of your operations. Using premium lubricating grease with excellent antioxidation and thermal stability protects critical gear components, preventing premature wear and effectively extending equipment lifespan.

Two-Component Design

- Used for spraying A/ B 2-component material
- Default 1:1 spraying ratio, customizable for special needs.
- Two-component paint materials can be mixed inside or outside of the spray gun.
- Visual pressure gauge monitors the working pressure of A&B pumps in real time to ensure the machine operates smoothly.
- Dual sensor design, monitoring the operation of both pumps in real-time, ensuring user safety.



Robust Stainless Steel Frame

- Durable in harsh conditions with thickened, hardened stainless steel.

Long Lasting Hose Accessories

- Both the drain hose and the suction tube are made of triple-layer material, offering corrosion resistance and acid-alkali resistance. They are more durable compared to PVC tubes of similar products.

EP 7240

EP 7240-II

EP 7285



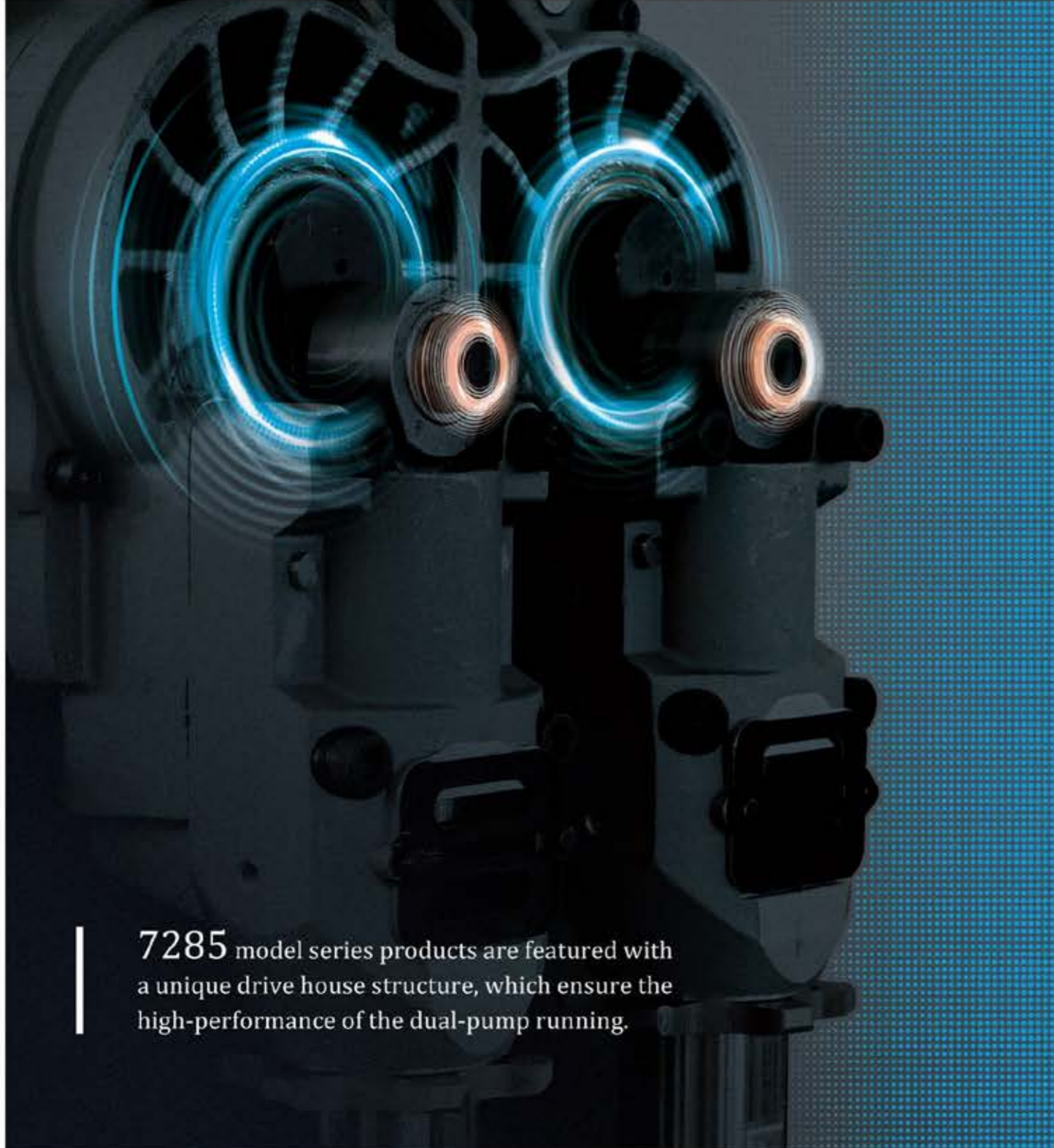
Two COMPONENTS series | TECHNICAL SPECIFICATIONS

MODEL TYPE	SPRAYER TYPE	POWER TYPE	DYNAMIC POWER	FLOW DELIVERY	WORKING PRESSURE	PUMP	OPTIONAL
EP 7240 / EP 7240-II	Two Components	110/220V 50/60HZ	2200W	4.0 L/min	23 Mpa 3336 psi	Twin	---
EP 7285 / EP 7285 Pro	Two Components	220V 50/60HZ	4000W	10.0 L/min / 11.3 L/min	23 Mpa 3336 psi	Twin	Hose Reel



PLS scan the QR code for more INFO.

7285 Model Remodel & Upgraded Machines



EP7285
TWO COMPONENTS AIRLESS SPRAYER



EP7285 F
SPRAY FOAM MACHINE



HB5900-II
LINE STRIPER

PUTTY MORTAR Sprayer
EP 3135

SOLUTION FOR CONTRACTOR

Innovative Tech & Multi-Function
Suitable For Variety of Materials

Max.Delivery(L/min)
• 25



For More Details : www.hvbansprayer.com / www.airless-sprayer.com



Multifunctional MORTAR SPRAYER

Electric POWERED / Piston

HVBAN Mortar Sprayer is ideal for contractors who want to increase productivity in their wall-finishing applications. It can be used to spray, Lacquer, binding mortar, anti-cracking mortar, water sand, rock slice paint, putty, stucco, EIFS materials, fireproof and waterproof mortar, etc., spraying height over 10 meters, spray more than 60 square per hour.



EP 3135



Mortar SPRAYER series | TECHNICAL SPECIFICATIONS

MODEL TYPE	SPRAYER TYPE	POWER TYPE	DYNAMIC POWER	FLOW DELIVERY	WORKING PRESSURE	MAX. HOSE LENGTH	CAPACITY
EP 3135	Putty Mortar	220V 50/60HZ	3500W	25.0 L/min	6 Mpa 870 psi	10 m	51 L



PLS scan the QR code for more INFO.

Mortar SPRAYER series | THE UNIQUE ADVANTAGES

Easy to Use with the Smart Control System

- Equipped with an advanced microprocessor, ensuring prompt spray response.
- Come with over-pressure protection, automatically shutting down the machine in case of excessive pressure.
- One-touch cleaning for convenient operation.

Adjustable Speed | One-Click Flushing | Crystal Display



Quick-Change Pump Design



- Less downtime with quick-change pump design. Easy to maintain.
- Faster and easier on-the-job repair
- Designed to pump stucco and EIFS materials
- The chrome-plated chrome rod enhances wear resistance.

Flexible Structural Design



- Meet the demands of any construction scenarios
- The modular design allows for easy disassembly, lifting, and transportation.
- Lightweight and portable for easier transportation.

Easy to Clean Hopper



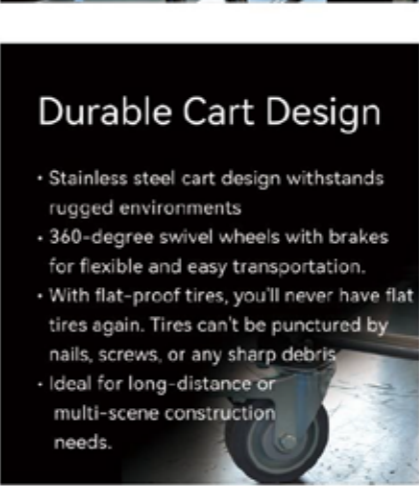
- The hopper features a semi-hidden design for effortless disassembly, replacement, and cleaning.
- Lightweight & Durable. It was constructed from high-density polyethylene material.
- Featuring a generous capacity of up to 51L (11 gallons), ensuring efficient completion of tasks.

Long Life Brushless DC Motor



- Improved control and performance.
- Maintenance-free and longer lifespan.

Durable Cart Design



- Stainless steel cart design withstands rugged environments
- 360-degree swivel wheels with brakes for flexible and easy transportation.
- With flat-proof tires, you'll never have flat tires again. Tires can't be punctured by nails, screws, or any sharp debris
- Ideal for long-distance or multi-scene construction needs.

Extended Hose Design



- Equipped with an extended 10-meter high-pressure hose(the machine is able to work with longer hoses based on your requirements), to facilitate long-distance spraying, saving time on equipment movement and speeding up construction. Adopts the quick-connect mechanism design, ensuring convenient operation.

Enhanced Work Performance



- Complete 100 yards of stucco spraying work in just one hour, boosting efficiency and saving on labor costs.

P R E C I S I O N I N E V E R Y S P R A Y

FOAM



FOAM

EP 7285 F

SPRAY FOAM MACHINE

SPRAY FOAM MACHINE
EP 7285 F

SPRAY FOAM MACHINE

EP 7285 F

POWER
IN YOUR HANDS

220 V / 380 V

Delivery (L/min)

• 4 - 12



For More Details : www.hvbansprayer.com / www.airless-sprayer.com

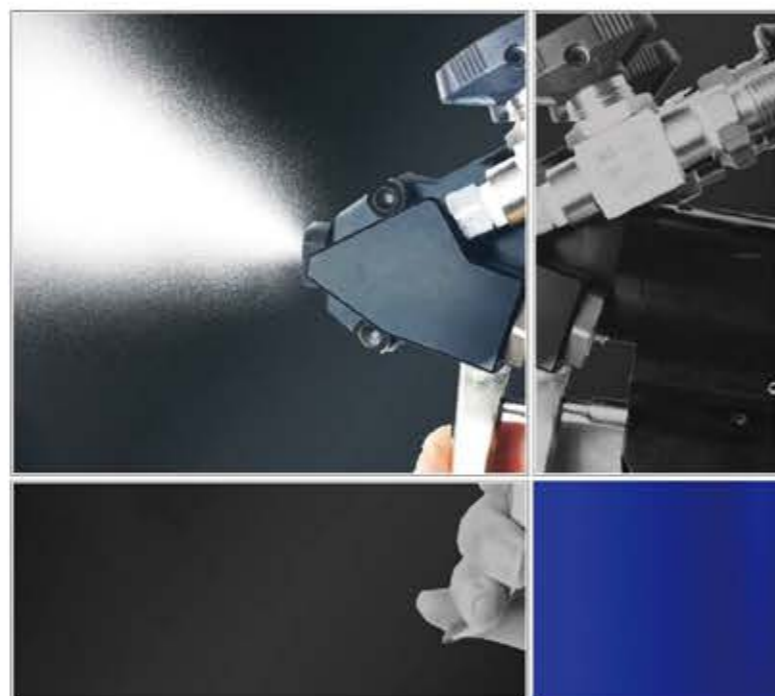


FOAM
SPRAY FOAM MACHINE

Foam series SPRAY FOAM MACHINE

Electric POWERED

In the fields of construction and industrial protection, polyurethane foam and polyurea coatings are widely used in high-standard engineering projects due to their excellent insulation, waterproofing, and corrosion-resistant properties. However, traditional sprayers often struggle with these high-viscosity materials. To address this industry pain point, we proudly introduce the new EP7285 F spray foam machine, specifically designed for polyurethane foam and polyurea spraying, becoming a technological pioneer with its outstanding high-pressure output and intelligent control.



PLS scan the QR code for more INFO.



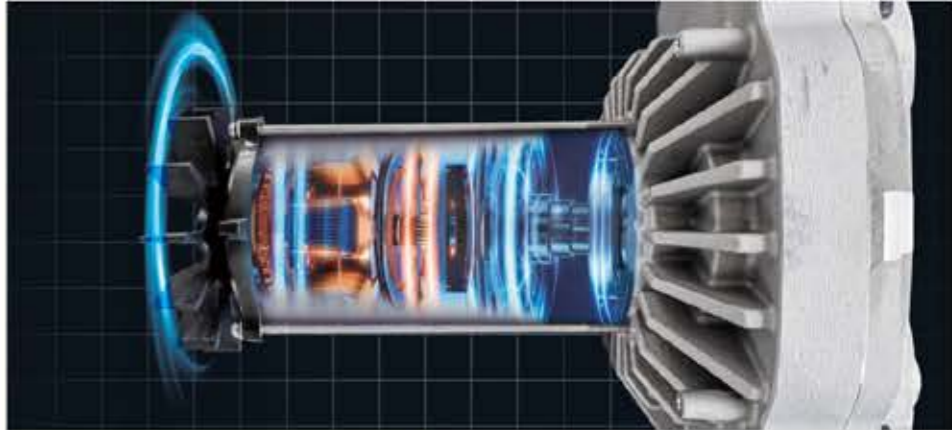
Foam series | TECHNICAL SPECIFICATIONS

MODEL TYPE	EP 7285F
DRIVE MODE	Electric
MAX. RATIO	1:1
TOTAL OUTPUT	—
FLOW CAPACITY	4-12 L/min
MAX. OPERATING PRESSURE	23 Mpa
MAX. AIR INLET PRESSURE	5-8 Bar
AIR SUPPLY REQUIREMENT	Approx. 600 L/min
HEATED HOSE MAX POWER	2000 W
MAX. HOSE PACKAGE LENGTH	60 Meter
MATERIAL HEATERS	10 Kw
MAX. TEMPERATURE	90 °C
MAX. POWER INPUT	14 Kw
SUPPLY VOLTAGE	220 V / 380 V
PACKAGE SIZE	195 Kgs , 109*79*118 cm
APPLICABLE MATERIALS	Polyurethane & Polyurea

Foam series | THE UNIQUE ADVANTAGES

Brushless DC Motor

- The device uses a maintenance-free brushless DC motor, providing robust power with outstanding continuous performance over long periods, suitable for high-intensity, large-scale construction needs.



High-Efficiency Pump System

- Equipped with high-temperature resistant seals and chrome-plated piston rods, the EP7285 F maintains excellent performance in high-temperature, high-pressure environments, reducing downtime and maintenance frequency, allowing you to focus on completing projects smoothly.

Portability & Mobility

- The EP7285 F's compact design and sturdy, wheeled base make it easy to handle various construction sites, whether in narrow job site spaces or complex outdoor environments. The equipment moves without additional tools, greatly improving construction flexibility.

Modular Design

- The modular structural design simplifies the cleaning and maintenance processes, reducing downtime and significantly enhancing work efficiency.

Intelligent Digital Control Panel

- An intuitive digital display and integrated control panel help users easily set precise temperatures and pressures, ensuring each layer of coating achieves the best effect, with intelligent operation reducing human errors.



Multi-Voltage Scenario Adaptation

- The EP7285 F offers 220V and 380V versions, accommodating different construction voltage needs worldwide, easily integrating into various construction environments.



P R E C I S I O N I N E V E R Y S P R A Y

GASOLINE



GASOLINE

GP 2700

GP 6300/6300TX

GP 8300/8300TX

GASOLINE AIRLESS SPRAYER

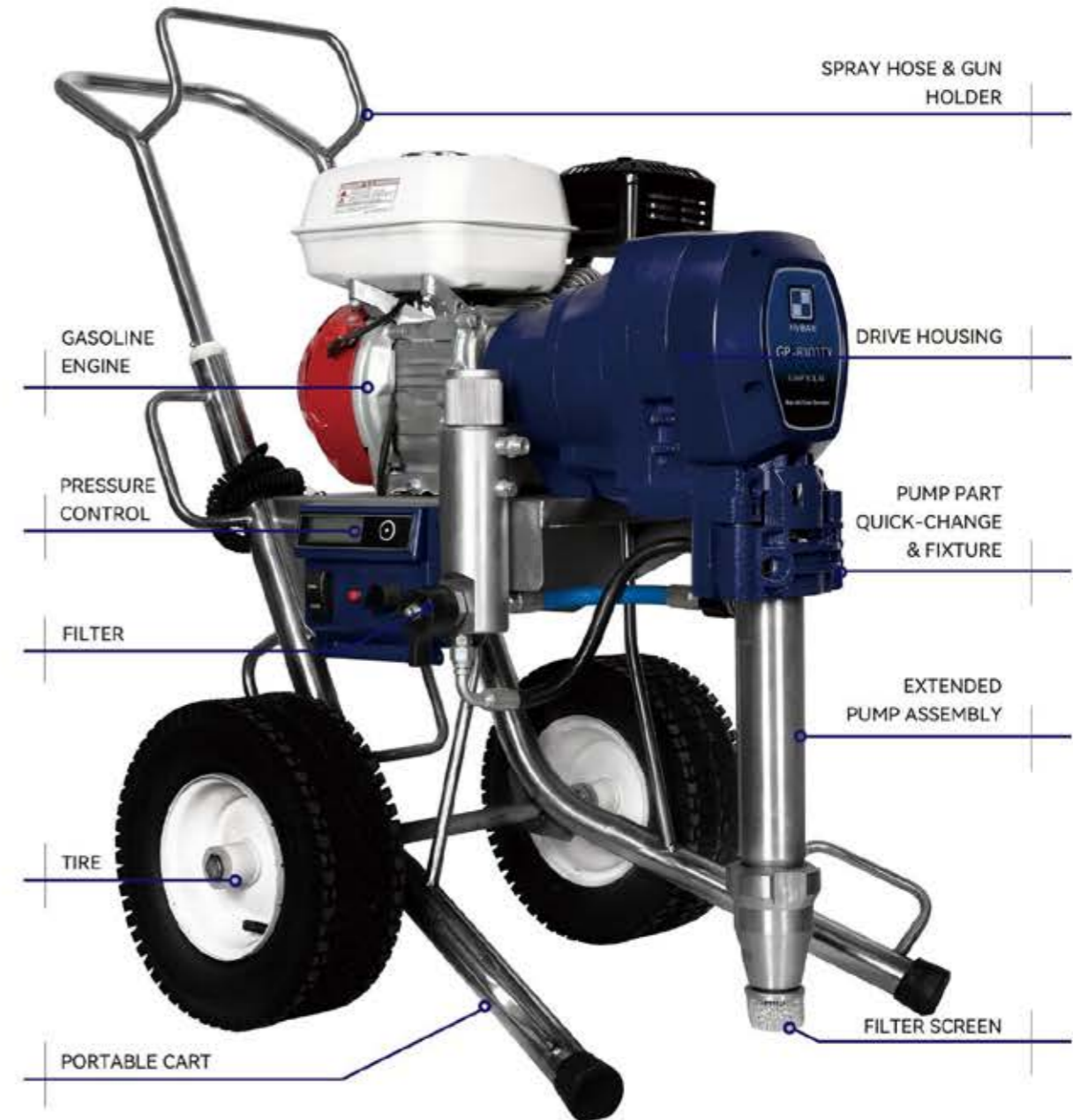
GASOLINE ENGINE AIRLESS SPRAYER
GP 2700 · GP 6300TX (GP 6300) · GP 8300TX (GP 8300)

GASOLINE ENGINE Airless Sprayer
GP 2700 · GP 6300TX (GP 6300) · GP 8300TX (GP 8300)

TOP CHOICE SPRAYER

Large Flow &
Most Powerful

Delivery (L/min)
· 2.7-8.3



For More Details : www.hvbansprayer.com / www.airless-sprayer.com



GASOLINE

G - POWER

G-Power series AIRLESS SPRAYER

Gasoline ENGINE

HVBAN Gasoline Engine High-Pressure Airless Sprayer machine is suitable for the absence of electricity conditions, medium and large residential, commercial, and industrial buildings painting, indoor and outdoor general painting, painting latex, heavy anti-corrosion engineering, fire protection engineering, waterproof engineering, industrial epoxy floor paint, basic protection ,etc.



★ "TX" Stand For LONG-PUMP

GP 2700



GP 6300TX (GP 6300)



GP 8300TX (GP 8300)



G-Power series | TECHNICAL SPECIFICATIONS

MODEL TYPE	SPRAYER TYPE	POWER TYPE	DYNAMIC POWER	FLOW DELIVERY	WORKING PRESSURE	MAX NOZZLE SIZE	OPTIONAL
GP 2700	Project	HONDA Gasoline Engine	3600 W / 4.8 HP	2.7 L/min	23 Mpa 3336 psi	0.025"	Hose-Reel / Hopper
GP 6300TX (GP 6300)	Project	HONDA Gasoline Engine	3600 W / 4.8 HP	5.0 L/min	23 Mpa 3336 psi	1 gun with 0.033" 2 guns with 0.027"	Hose-Reel / Hopper
GP 8300TX (GP 8300)	Project	HONDA Gasoline Engine	4900 W / 6.5 HP	8.3 L/min	23 Mpa 3336 psi	1 gun with 0.047" 2 guns with 0.033"	Hose-Reel / Hopper



PLS scan the QR code for more INFO.

G-Power series | THE UNIQUE ADVANTAGES



HONDA Engine

- Reliable, powerful & easy-to-start
- Contractor preferred

Optimized Pump Assembly

- Long life strictly selected American packings and a chrome rod.
- V Packings crafted from premium American-imported leather offers superior durability and performance. Unlike commonly used Chinese packings, these packings boast higher abrasion resistance, better sealing capabilities, and stronger resistance to high pressure.
- Achieve quicker cleaning with the intake valve.
- Designed to withstand continuous high-intensity operation, ensuring long-lasting reliability for your sprayer.
- The inlet and outlet valves of the pump body are made of tungsten steel hard alloy, ensuring the machine's solidity and durability.
- The watchdog pump protection system automatically safeguards the pump against damage in case of insufficient material supply.

Aviation Aluminum Filter

- Easy maintenance & less clogging
- The inside-out filtering process guarantees a high-quality finish
- Utilizing Aviation Aluminum Filter, with strength 2.4 times greater than that of rival brands
- Possessing outstanding mechanical performance and corrosion resistance, ensures excellent stability even during prolonged and continuous spraying operations, thereby extending machine lifespan and enhancing work efficiency.

Advantage Drive

- The longest-lasting drive
- Reliable performance and a lifetime of use are ensured by five-level grinding gears with reinforced steel
- Imported Japanese IKO bearings, German INA bearings ensure smooth and reliable transmission even under high-intensity conditions, resulting in fewer equipment failures.
- This enhances the reliability and durability of your operations.
- Using premium lubricating grease with excellent antioxidation and thermal stability protects critical gear components, preventing premature wear and effectively extending equipment lifespan.

Quick-Change Pump Design (GP8300&GP8300TX Only)

- Less downtime with quick-change pump design. Easy to maintain.
- Faster and easier on-the-job repair

Smart Control

- Equipped with a digital smart pressure control system as standard, allowing for real-time monitoring of equipment operating pressure. It offers swift and precise pressure adjustment response to adapt quickly to changes in spraying conditions.
- Continuous upgradability is supported, meeting the personalized customization needs of customers.

Robust Stainless Steel Frame

- Durable in harsh conditions with thickened, hardened stainless steel.

P R E C I S I O N I N E V E R Y S P R A Y

HYDRAULIC



HYDRAULIC

HB 960 / HB 5303

HB 970 / HB 5311

HYDRAULIC AIRLESS SPRAYER

HYDRAULIC AIRLESS SPRAYER

HB 960 · HB 970 · HB 5303 · HB 5311

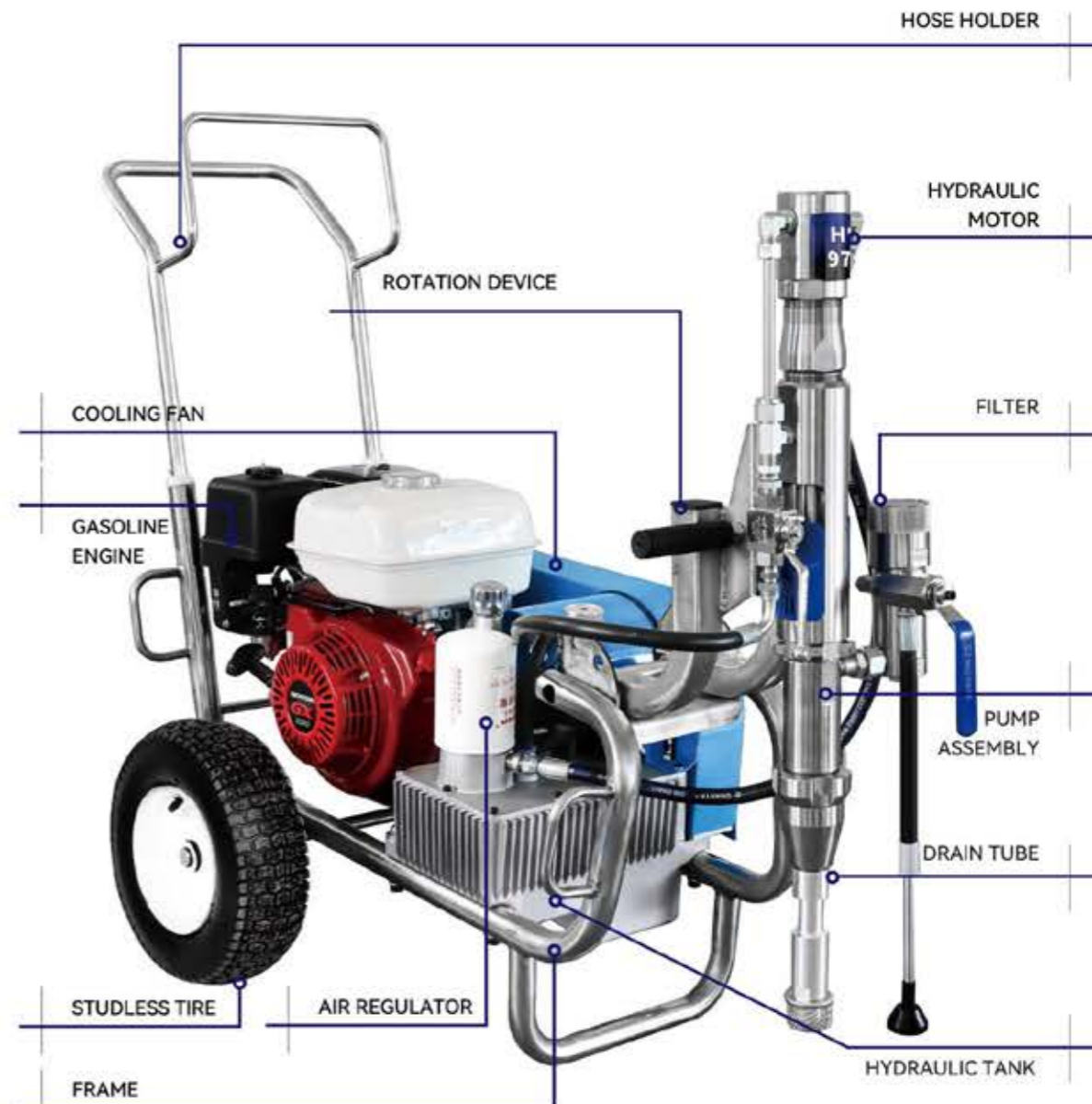
HYDRAULIC Airless Sprayer

HB 960 · HB 970 · HB 5303 · HB 5311

HI-POWERED PAINTING MACHINE

For Construction Building

Gasoline / Electric Power Source



For More Details - www.hvbansprayer.com / www.airless-sprayer.com



HYDRAULIC

Hydraulic POWERED

HYDRAULIC series AIRLESS SPRAYER

Gasoline / Electric

HVBAN Powerhouse Convertible Hydraulic Sprayer is recommended for very large-scale residential, commercial, corrosion control, and industrial projects, suitable for medium and large residential, commercial and industrial building painting, indoor and outdoor general painting, latex painting, heavy anti-corrosion engineering, fire protection engineering, waterproof engineering, industrial epoxy floor paint, basic protection .etc.



HYDRAULIC series | THE UNIQUE ADVANTAGES

HONDA Engine

- Reliable, powerful & easy-to-start
- Contractor preferred

High-Efficiency Hydraulic Motor

- Consistent performance ensures continuous operation, keeping you productive at all times.
- Unyielding, withstands high pressure, durable and robust
- Quick and responsive operation, easy maintenance, and extended lifespan.



Durable Pump Assemble



Support Multi-Gun Spraying

- Greater versatility
- The overall performance is reliable, supporting up to 4 guns spraying, suitable for a wider range of working conditions, and enhancing construction efficiency.



Pump Rotation Device

- Allows for a 90° rotation, facilitating equipment transportation and maintenance.



HB 970

HB 5311

HB 960

HB 5303



HYDRAULIC series | TECHNICAL SPECIFICATIONS

MODEL TYPE	SPRAYER TYPE	POWER TYPE	DYNAMIC POWER	FLOW DELIVERY	WORKING PRESSURE	HOSE LENGTH	MAX. NOZZLE SIZE
HB 960 / HB 5303	Project	Electric Motor & Hydraulic	4000 W / 5.4HP 220V, 50-60HZ	10.3 L/min	23 Mpa 3336 psi	15 m	1 gun with 0.043" 2 guns with 0.027"
HB 960A / HB 5303A	Project	Electric Motor & Hydraulic	4000 W / 5.4HP 220V, 50-60HZ	6.5 L/min	35 Mpa 5076 psi	15 m	1 gun with 0.035" 2 guns with 0.027"
HB 960B / HB 5303B	Project	Electric Motor & Hydraulic	4000 W / 5.4HP 220V, 50-60HZ	3.7 L/min	50 Mpa 7252 psi	15 m	1 gun with 0.031" 2 guns with 0.023"
HB 970 / HB 5311	Project	Gasoline Engine & Hydraulic	6700W / 9.0 HP	11.6 L/min	23 Mpa 3336 psi	15 m	1 gun with 0.043" 2 guns with 0.027"
HB 970A / HB 5311A	Project	Gasoline Engine & Hydraulic	6700W / 9.0 HP	7.5 L/min	35 Mpa 5076 psi	15 m	1 gun with 0.037" 2 guns with 0.029"
HB 970B / HB 5311B	Project	Gasoline Engine & Hydraulic	6700W / 9.0 HP	4.2 L/min	50 Mpa 7252 psi	15 m	1 gun with 0.031" 2 guns with 0.023"



PLS scan the QR code for more INFO.

P R E C I S I O N I N E V E R Y S P R A Y

PNEUMATIC



PNEUMATIC

HB 310-30

HB 330-45/330-63

HB 370-45/370-63/370-68

HB 370PRO451/PRO631/PRO681

HB 370-50 X2

PNEUMATIC AIRLESS SPRAYER



PNEUMATIC Airless Sprayer

HB 310-30 · HB 330-45 · HB 330-63

HIGH RELIABLE

In Any Harshest Environment

HB 310 Series

Ratio
· 30:1

GREAT PERFORMER

For Industrial Coating Job

HB 330 Series

Ratio
· 45:1
· 63:1



For More Details : www.hvbansprayer.com / www.airless-sprayer.com



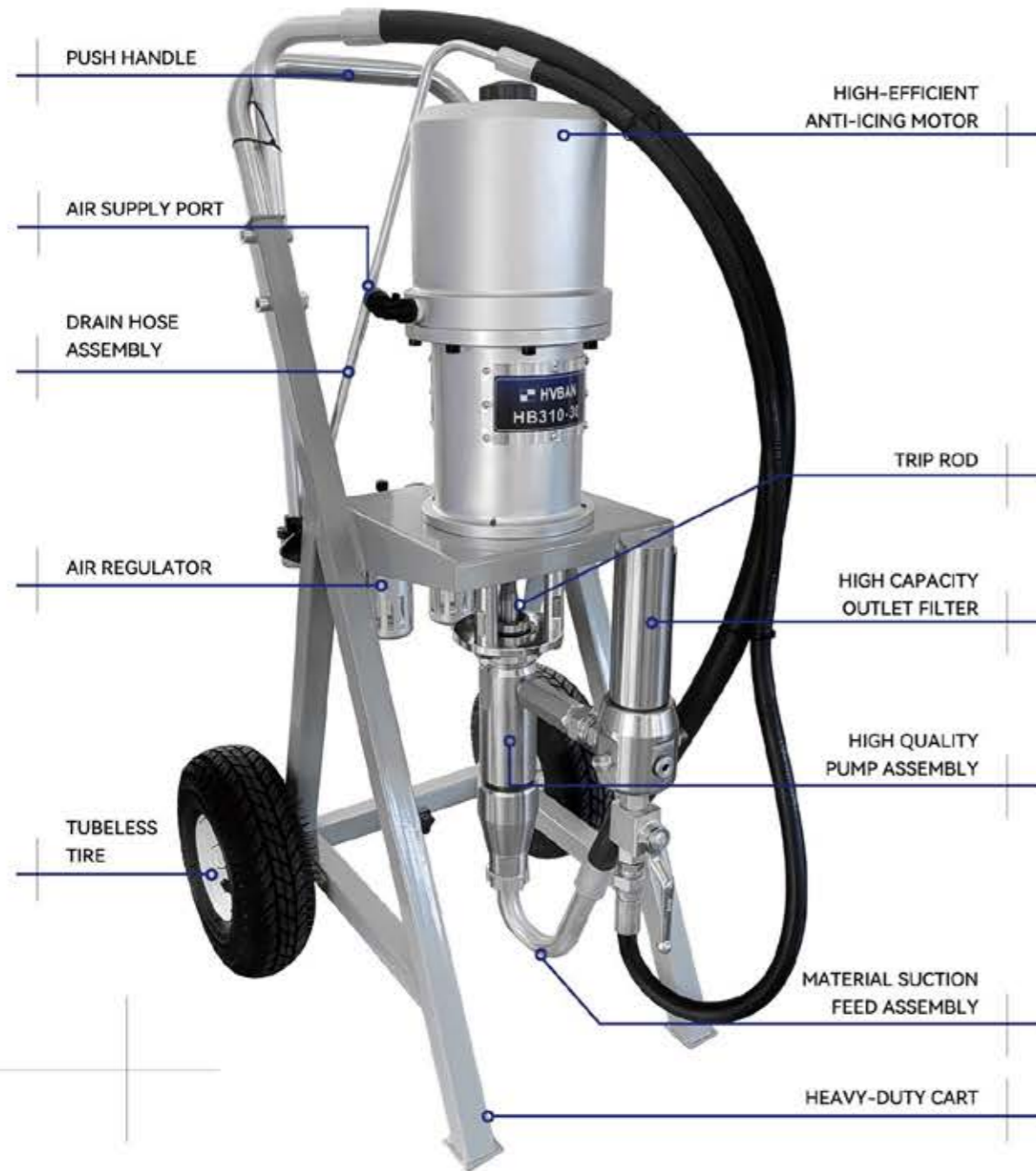
PNEUMATIC

Industrial COATING

Industrial COATING AIRLESS SPRAYER

Pneumatic POWERED

HVBAN Pneumatic Airless Sprayers are specially designed for both small and large workshops where large volumes of paint products need to be applied. The high-quality piston pump ensures a better finish. Large-high pressure fluid filters are standard on this model to reduce rubbish which can cause tip blockages and wear in the paint.



HB 310-30

HB 330-45

HB 330-63



PLS scan the QR code for more INFO.

Industrial COATING series | TECHNICAL SPECIFICATIONS

MODEL TYPE	FLUID DELIVERY	FLUID PRESSURE RATIO	STROKE LENGTH	AIR POWER RANGE	Max. OUTLET PRESURE	Max. NOZZLE SIZE	STANDARD TIP
HB 310-30	6 L/min	30 : 1	108 mm	3-7 Bar	211 Bar	0.031"	525
HB 330-45	9.7 L/min	45 : 1	108 mm	3-7 Bar	315 Bar	0.039"	535
HB 330-63	6 L/min	63 : 1	108 mm	3-7 Bar	441 Bar	0.031"	525

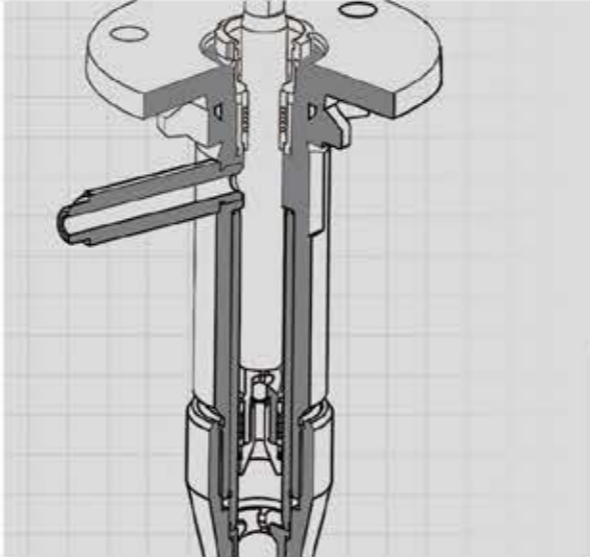


Industrial COATING series | THE UNIQUE ADVANTAGES



Mechanical Reversing System

- Continuous and stable operation.
- The new mechanical reversing pneumatic motor enables swift direction changes.
- Low air consumption. Capable of working in frigid environments without icing.
- High efficiency, easy maintenance, and capable of continuous and stable operation for industrial painting.



High-Quality Alloy Steel

- All key pressure-bearing components are made of high-quality alloy steel, and the high-pressure valves are made of hard alloy, ensuring superior performance and durability of the equipment.



Durable Pump Assembly

- Long life strictly selected American packings, a chrome rod, and stainless steel.
- V Packings crafted from premium American-imported leather offers superior durability and performance. Unlike commonly used Chinese packings, these packings boast higher abrasion resistance, better sealing capabilities, and stronger resistance to high pressure.
- Designed to withstand continuous high-intensity operation, ensuring long-lasting reliability for your sprayer.
- Less wear, and extends the replacement frequency to once a year



Larger Air Regulator

- Provides control, filtration, and lubrication of air, enhancing operational reliability and extending the equipment's lifespan.
- Improved air regulator to ensure more stable working pressure.



Durable Cart Design

- Designed with a detachable structure for easy maneuverability
- Ideal for long-distance or multi-scene construction needs



Flexible Modular Design

- The pneumatic motor and the pump are designed with a split structure, making the equipment easier to clean, maintain, and replace components.
- Reduce the downtime. Easy to Repair.
- And the smaller packaging size for easier transportation.



Better Spraying Experience

- Less Clogged
- Better spray pattern you'll experience.
- Small pressure fluctuations result in uniform coating layers, ensuring better paint quality.



Petrochemical Anti-Corrosion Coating



Ship Building Coating



Bridge surface Coating



Industrial Pipe-Line Coating

PNEUMATIC AIRLESS SPRAYER
HB 370 · HB 370PRO

PNEUMATIC Airless Sprayer
HB 370 · HB 370PRO

HEAVY COAT SOLUTION

Stable & Reliable

- Ratio
- 45:1
 - 50:1
 - 63:1
 - 68:1



For More Details : www.hvbansprayer.com / www.airless-sprayer.com



PNEUMATIC
Industrial COATING



Industrial COATING AIRLESS SPRAYER

Pneumatic POWERED

The durability, reliability, and ease of operation that you need are built into each unit. Twice the life with half the maintenance. HVBAN Pneumatic Airless Sprayers have been used in industries, providing their owners with dependable, efficient operation.



PNEUMATIC

HB 370

TWO-COMPONENT

HB 370PRO



• 45:1
• 63:1
• 68:1



• 50:1



• 45:1
• 63:1
• 68:1

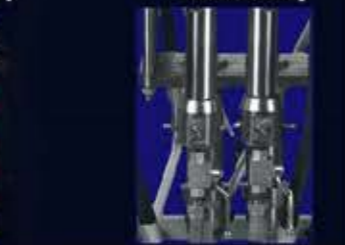


PLS scan the QR code for more INFO.

The Standard Pump Assembly



The Dual-Pumps Assembly



The Pump Assembly of PRO Series

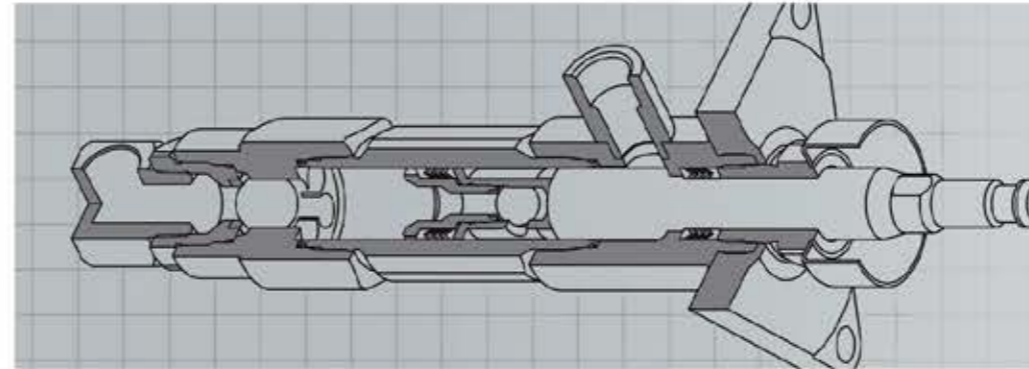


Model Type	HB 370-45	HB 370-63	HB 370-68	HB 370-50 X2	HB 370Pro451	HB 370Pro631	HB 370Pro681	
Max. Fluid Delivery	24L/min	18L/min	12L/min	24L/min	24L/min	18L/min	12L/min	
Max. Discharge Pressure	320Bar	440Bar	480Bar	350Bar	320Bar	440Bar	480Bar	
Pressure Ratio	45:1	63:1	68:1	50:1	45:1	63:1	68:1	
CC per Cycle	250	193	180	115	250	193	180	
Max. Pump Speed/min	88	93	89	89	88	93	89	
Stroke Length	120mm	120mm	120mm	120mm	120mm	120mm	120mm	
Operating Air Pressure	3-7 Bar	3-7 Bar	3-7 Bar	3-7 Bar	3-7 Bar	3-7 Bar	3-7 Bar	
(Paint Spray) Hose Length	1/4"x15 m	1/4"x15 m	1/4"x15 m	1/4"x15 m	1/4"x15 m	1/4"x15 m	1/4"x15 m	
Max. Nozzle Size	0.033"	0.033"	0.033"	0.035"	0.033"	0.033"	0.033"	
Standard Nozzle Size	533	533	533	535	533	533	521	
Box Size(L*W*H/mm)	1330x 710x 930	1330x 710x 930	1330x 710x 930	1330x 710x 930	1330x 710x 930	1330x 710x 930	1330x 710x 930	
Gross Weight	137kgs	141kgs	151kgs	170kgs	137kgs	141kgs	151kgs	
Material Applications	medium-high paint like epoxy zinc-rich paint, chlorinated rubber, acrylic, nitro, amino acid, phenolic, polyurethane, putty (certain models), fireproof paint	medium-high paint like epoxy zinc-rich paint, chlorinated rubber, acrylic, nitro, amino acid, phenolic, polyurethane, putty (certain models), fireproof paint	medium-high paint like epoxy zinc-rich paint, chlorinated rubber, acrylic, nitro, amino acid, phenolic, polyurethane, putty (certain models), fireproof paint	medium-high paint like epoxy zinc-rich paint, chlorinated rubber, acrylic, nitro, amino acid, phenolic, polyurethane, putty (certain models), fireproof paint	medium-high paint like epoxy zinc-rich paint, chlorinated rubber, acrylic, nitro, amino acid, phenolic, polyurethane, putty (certain models), fireproof paint	medium-high paint like epoxy zinc-rich paint, chlorinated rubber, acrylic, nitro, amino acid, phenolic, polyurethane, putty (certain models), fireproof paint	medium-high paint like epoxy zinc-rich paint, chlorinated rubber, acrylic, nitro, amino acid, phenolic, polyurethane, putty (certain models), fireproof paint	medium-high paint like epoxy zinc-rich paint, chlorinated rubber, acrylic, nitro, amino acid, phenolic, polyurethane, putty (certain models), fireproof paint

Industrial COATING series | THE UNIQUE ADVANTAGES

MORE STABLE & RELIABLE Work Performance

- Large flow rate and long stroke.
- Provides more stable and reliable operation with a high-quality piston pump.



High-quality Alloy Steel

- All key pressure-bearing components are made of high-quality alloy steel, and the high-pressure valves are made of hard alloy, ensuring superior performance and durability of the equipment.

Mechanical Reversing System

- Continuous and stable operation.
- The new mechanical reversing pneumatic motor enables swift direction changes.
- Low air consumption. Capable of working in frigid environments without icing.
- High efficiency, easy maintenance, and capable of continuous and stable operation for industrial painting.



Durable Pump Assembly

- Long life strictly selected American packings, a chrome rod and stainless steel.
- V Packings crafted from premium American-imported leather offers superior durability and performance. Unlike commonly used Chinese packings, these packings boast higher abrasion resistance, better sealing capabilities, and stronger resistance to high pressure.
- Designed to withstand continuous high-intensity operation, ensuring long-lasting reliability for your sprayer.
- Less wear, and extends the replacement frequency to once a year



Flexible Modular Design

- The motor and the pump are designed with a split structure, making the equipment easier to clean, maintain, and replace components.
- Reduce the downtime. Easy to Repair.

Durable Cart Design

- Designed with a detachable structure for easy maneuverability
- Ideal for long-distance or multi-scene construction needs.
- And the smaller packaging size for easier transportation.



Larger Air Regulator

- Provides control, filtration, and lubrication of air, enhancing operational reliability and extending the equipment's lifespan.
- Improved air regulator to ensure more stable working pressure.



Better Spraying Experience

- Less Clogged
- Better spray pattern you'll experience.
- Small pressure fluctuations result in uniform coating layers, ensuring better paint quality.



Flat Proof Tires

- With flat proof tires, you'll never have flat tires again. Tires can't be punctured by nails, screws, or any sharp debris
- Ideal for long-distance or multi-scene construction needs.



P R E C I S I O N I N E V E R Y S P R A Y

LINE STRIPER



LINE STRIPER

HB 3400/Twin PUMP/Twin PUMP(Pro)

HB 6800 HB 5900/Twin PUMP

EP 3495

HP 1076/2076

LINE STRIPER

AIRLESS SPRAYER

LINE STRIPER AIRLESS SPRAYER
 HB 3400 · HB 5900 · HB 6800

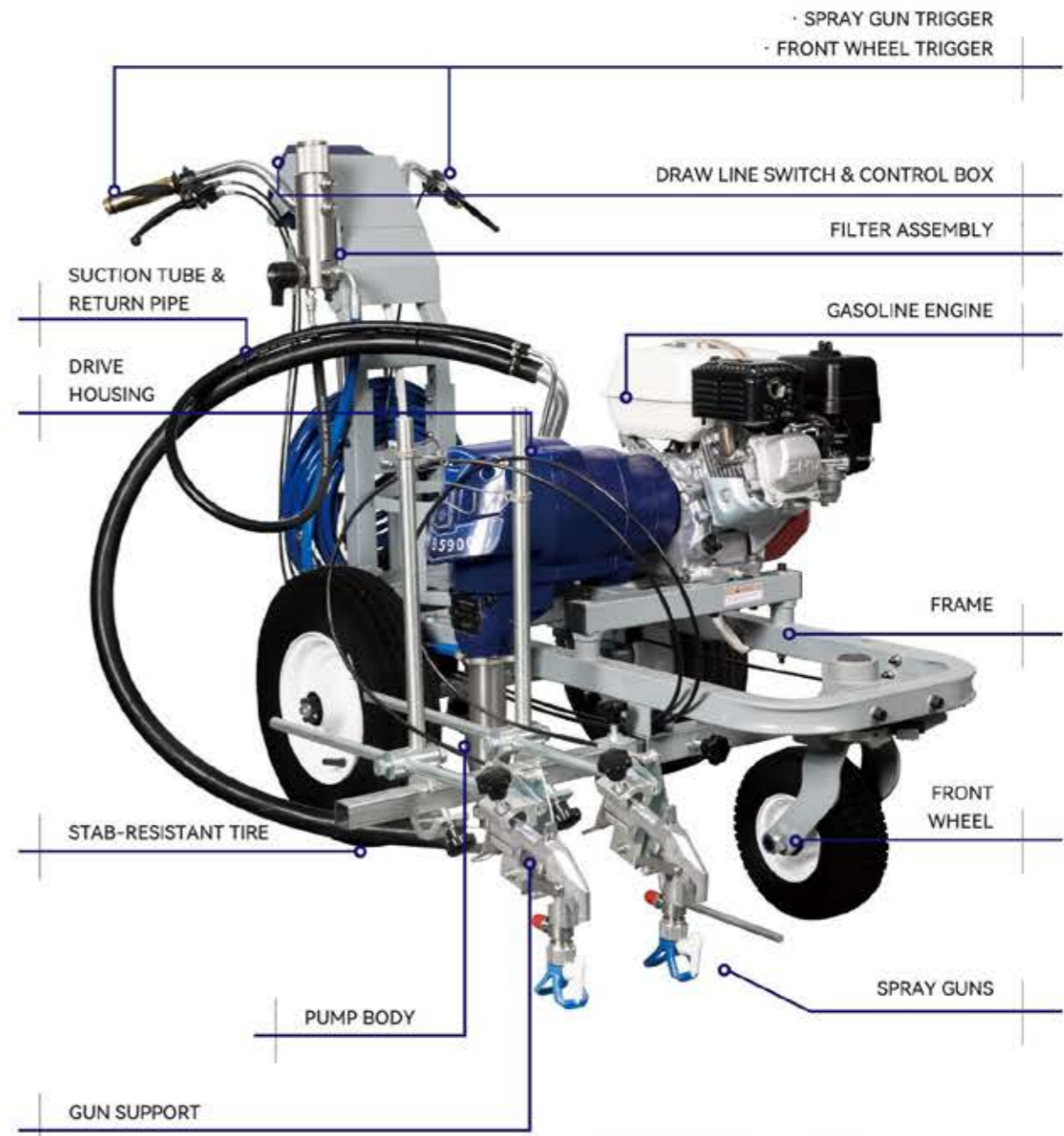


LINE STRIPER Airless Sprayer
 HB 3400 · HB 5900 · HB 6800

MORE EFFICIENT

High Precision & EZ Operation

Delivery (L/min)
 · 2.7-5.8



For More Details : www.hvbansprayer.com / www.airless-sprayer.com



LINE STRIPER
 Standard STRIPER

Standard LINE STRIPER

Gasoline POWERED / Standard

HVBAN Road Marking Machine is a professional choice for athletic floor and pavement work. Hand-push cold paint road marking machine ensures stable pressure, is simple to use, convenient for maintenance. The use of high-pressure airless spraying technology provides simple control, good damping effects, and linear change to minimize fluctuations caused by pavement.



HB 3400

HB 5900

HB 6800



PLS scan the QR code for more INFO.

Road MARKING series | TECHNICAL SPECIFICATIONS

MODEL TYPE	SPRAYER TYPE	POWER TYPE	DYNAMIC POWER	FLOW DELIVERY	WORKING PRESSURE	Max. NOZZLE SIZE	OPTIONAL
HB 3400	Standard	HONDA GX160 Engine	3600W / 4.8 HP	2.7 L/min	23 Mpa 3336 psi	0.027"	Bead Dispenser
HB 5900	Standard	HONDA GX160 Engine	3600W / 4.8 HP	5.0 L/min	23 Mpa 3336 psi	1 gun with 0.035" 2 guns with 0.025"	Bead Dispenser
HB 6800	Standard	HONDA GX200 Engine	4900W / 6.5 HP	5.8 L/min	23 Mpa 3336 psi	1 gun with 0.035" 2 guns with 0.025"	Bead Dispenser

Road MARKING series | THE UNIQUE ADVANTAGES



HONDA Engine

- Honda® GX160
- Honda® GX200 (HB6800 Only)
- Reliable, powerful & easy-to-start
- Contractor preferred

Multi-Functional Spray Gun Holder

- Much more flexible to give you multiple road-marking choices
- The spray gun can be adjusted in multiple directions to meet various application scenarios such as front, rear, up, down, left, and right for road marking.

Aviation Aluminum Filter

- Easy maintenance & less clogging
- The inside-out filtering process guarantees a high-quality finish
- Utilizing Aviation Aluminum Filter, with strength 2.4 times greater than that of rival brands
- Possessing outstanding mechanical performance and corrosion resistance, ensures excellent stability even during prolonged and continuous spraying operations, thereby extending machine lifespan and enhancing work efficiency.

Spray Gun & Tip

- Equipped with specialized line marking spray guns and nozzles
- Ensures rapid response for spraying.
- Meets various line width construction requirements.

Optional Line Driver

- The frame is designed with an interface reserved, allowing connection with the line driver.
- Make the job much easier.

Smart Pressure Control Panel

- Visual digital display panel for precise spray pressure control.
- Maintain a steady spray pressure for perfect line marking.

360° Self-Adjusting Front Wheel

- More flexible steering for easier operation.
- An easy method for maintaining straight-tracking.
- Dual precision bearing design ensures operational stability.

Glass Beads Dispenser

- The frame design supports the optional installation of a glass bead dispenser.
- Provides more application choices for road marking.

Road MARKING SPRAYER HB 3400 | THE SERIES ITEMS



HB 3400 Standard

HB 3400 Twin-Pump

HB 3400 Twin-Pump (Pro)

EP 3495 Electric Powered

• DUAL Pump Assembly



• DUAL Pump Assembly



• DUAL Spray Gun



• DUAL Spray Gun



• DUAL Bucket Rank



• DUAL Bucket Rank



• REINFORCE Frame



Model Type	HB 3400	HB 3400II	HB 3400II	EP 3495
Sprayer Type	Standard	Twin-pump	Twin-pump Pro	Electric Powered
Pump Qty.	Single	Dual	Dual	Single
Painting Type	Normal	Dual Strip Painting Dual Color Painting Two-component Painting	Dual Strip Painting Dual Color Painting Two-component Painting	Normal

LINE STRIPER AIRLESS SPRAYER
 HB 3400 II · HB 5900 II

LINE STRIPER Airless Sprayer

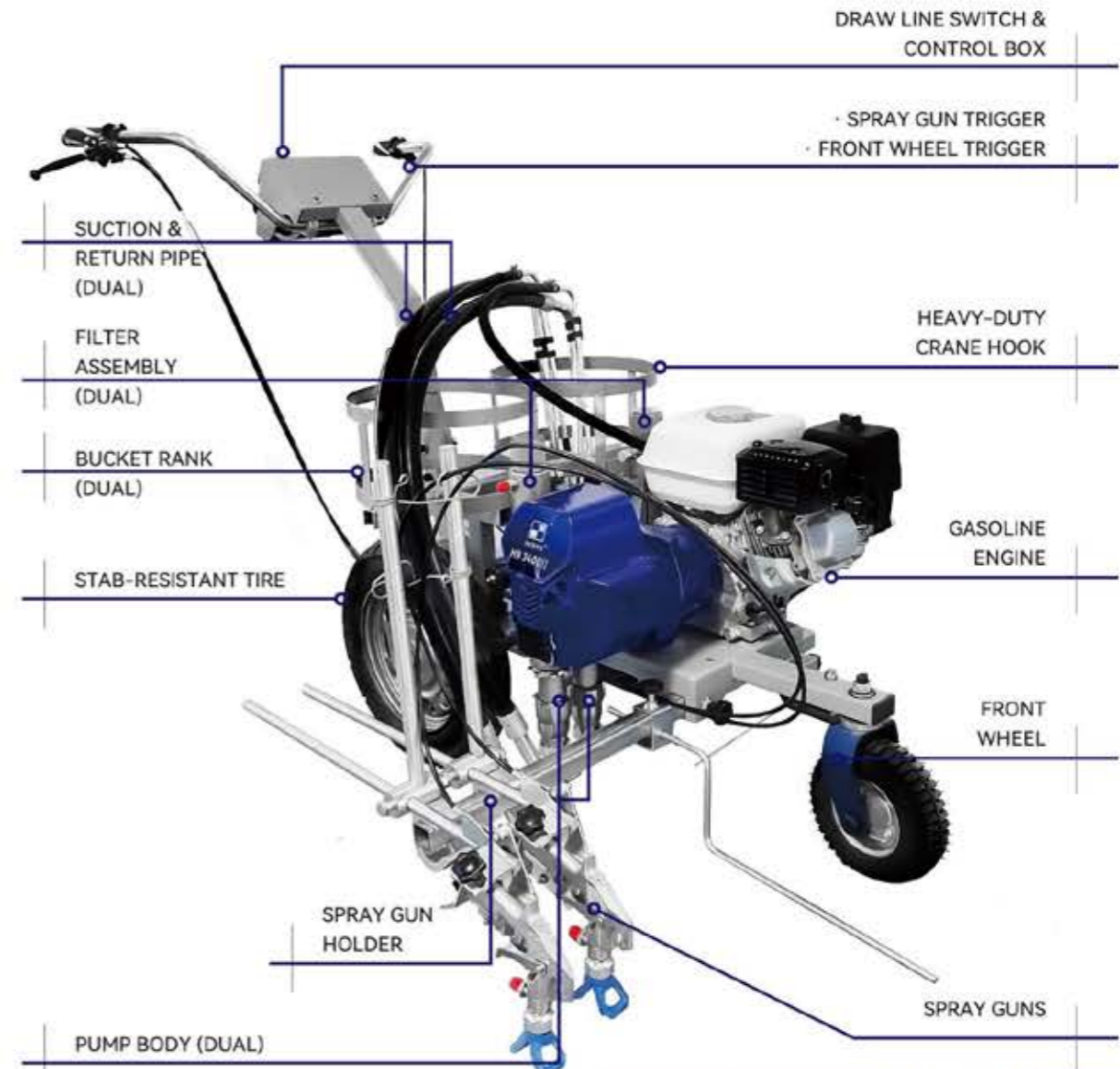
HB 3400 II · HB 5900 II

RAISING THE JOB QUALITY

Twin-Pump & Dual Efficiency

Delivery (L/min)

• **5.0-8.8**



For More Details : www.hvbansprayer.com / www.airless-sprayer.com



LINE STRIPER

Upgraded STRIPER

Upgraded LINE STRIPER

Gasoline POWERED / Upgraded

HVBAN Upgraded Line Striper is the preferred choice for professional striping Line Marking contractors who are looking for performance and features in a 2-gun striper. Capable of spraying dual-component or multi-component materials. Deliver valuable features allowing you to complete jobs faster, more efficiently, and with more accuracy.



HB 3400 II



HB 5900 II



Road MARKING series | TECHNICAL SPECIFICATIONS

MODEL TYPE	SPRAYER TYPE	POWER TYPE	DYNAMIC POWER	FLOW DELIVERY	WORKING PRESSURE	Max NOZZLE SIZE	OPTIONAL
HB 3400 II	Upgraded	HONDA GX160 Engine	3600W / 4.8 HP	5.0 L/min	23 Mpa / 3336 psi	1 gun with 0.033" 2 guns with 0.023"	Bead Dispenser / Enhanced Frame
HB 5900 II	Upgraded	HONDA GX200 Engine	4900W / 6.5 HP	8.8 L/min	23 Mpa / 3336 psi	1 gun with 0.045" 2 guns with 0.031"	Bead Dispenser



PLS scan the QR code for more INFO.

Road MARKING series | THE UNIQUE ADVANTAGES

HONDA Engine

- Honda® GX160
- Honda® GX200 (HB6800 Only)
- Reliable, powerful & easy-to-start
- Contractor preferred

Two-Component Pump Assembly

- Equipped with a dual-reinforced piston pump, capable of spraying dual-component or multi-component paint.

Multi-Functional Spray Gun Holder

- Much more flexible to give you multiple road marking choices
- The spray gun can be adjusted in multiple directions to meet various application scenarios such as front, rear, up, down, left, and right for road marking

Optional Line Driver

- The frame is designed with an interface reserved, allowing connection with the line driver.
- Make the job much easier.

Aviation Aluminum Filter

- Easy maintenance & less clogging
- The inside-out filtering process guarantees a high-quality finish
- Utilizing Aviation Aluminum Filter, with strength 2.4 times greater than that of rival brands
- Possessing outstanding mechanical performance and corrosion resistance, ensures excellent stability even during prolonged and continuous spraying operations, thereby extending machine lifespan and enhancing work efficiency.

Spray Gun & Tip

- Equipped with specialized line marking spray guns and nozzles.
- Ensures rapid response for spraying.
- Meets various line width construction requirements.

Glass Beads Dispenser

- The frame design supports the optional installation of a glass bead dispenser.
- Provides more application choices for road marking.

Smart Pressure Control Panel

- Visual digital display panel for precise spray pressure control.
- Maintain a steady spray pressure for perfect line marking.

360° Self-Adjusting Front Wheel

- More flexible steering for easier operation.
- An easy method for maintaining straight-tracking.
- Dual precision bearing design ensures operational stability.

LINE STRIPER Airless Sprayer
HP 1076 · HP 2076

HIGH PRODUCTIVE

Powerful Engine & Quality Motor
To Achieve Great Performance

Delivery (L/min)

• Max. **9.8**

(Various Optional Styles)



For More Details : www.hvbansprayer.com / www.airless-sprayer.com



LINE STRIPER
Hydraulic DRIVEN



Hydraulic LINE STRIPER

Gas Hydraulic POWERED

HVBAN Hydraulic Line Striper is specially designed for efficient marking. A stable internal reversing hydraulic pump, adjustable spray gun, and paint filter ensure the marking performance. Spraying speed and spraying width are accurate and convenient, marking line thickness is uniform, edges and corners are even, with low labor intensity, fast and convenient construction. It is capable of spraying coatings with higher viscosity.



HP 1076



HP 2076



PLS scan the QR code for more INFO.

Road MARKING series | TECHNICAL SPECIFICATIONS

MODEL TYPE	SPRAYER TYPE	POWER TYPE	DYNAMIC POWER	FLOW DELIVERY	WORKING PRESSURE	Max. NOZZLE SIZE	OPTIONAL
HP 1076	Standard	HONDA GX270 Engine	6700W / 9.0 HP	9.8 L/min	23 Mpa 3336 psi	1 gun with 0.053" 2 guns with 0.038"	Bead Dispenser
HP 2076	(Upgraded) Twin-Pump	HONDA GX270 Engine	6700W / 9.0 HP	9.0 L/min	23 Mpa 3336 psi	1 gun with 0.053" 2 guns with 0.038" 3 guns with 0.032" 4 guns with 0.025"	Bead Dispenser

Road MARKING series | THE UNIQUE ADVANTAGES

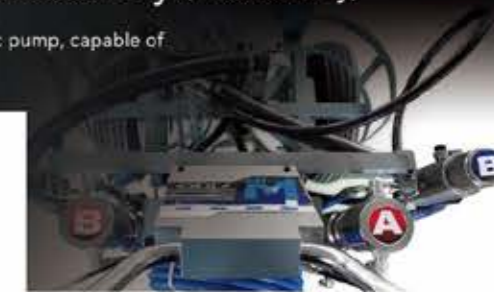


HONDA Engine

- Honda® GX270
- Reliable, powerful & easy-to-start
- Contractor preferred

Two-Component Pump Assembly (HP2076 Only)

- Equipped with a dual-reinforced hydraulic pump, capable of spraying dual-component paint.



High-Efficiency Hydraulic Motor

- Consistent performance ensures continuous operation, keeping you productive at all times.
- Unyielding, withstands high pressure, durable, and robust.
- Quick and responsive operation, easy maintenance, and extended lifespan.



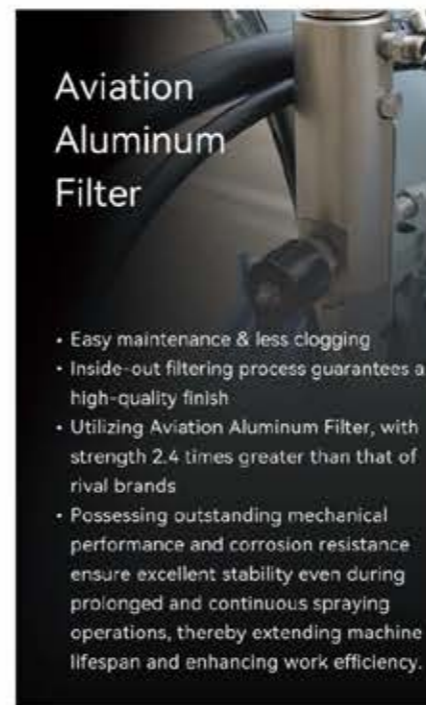
Multi-Functional Spray Gun Holder

- Much more flexible to give you multiple road marking choices
- The spray gun can be adjusted in multiple directions to meet various application scenarios such as front, rear, up, down, left, and right for road marking.



Aviation Aluminum Filter

- Easy maintenance & less clogging
- Inside-out filtering process guarantees a high-quality finish
- Utilizing Aviation Aluminum Filter, with strength 2.4 times greater than that of rival brands
- Possessing outstanding mechanical performance and corrosion resistance ensure excellent stability even during prolonged and continuous spraying operations, thereby extending machine lifespan and enhancing work efficiency.



Spray Gun & Tip

- Equipped with specialized line marking spray guns and nozzles.
- Ensures rapid response for spraying.
- Meets various line width construction requirements.



Optional Line Driver

- The frame is designed with an interface reserved, allowing connection with the line driver.
- Make the job much easier.



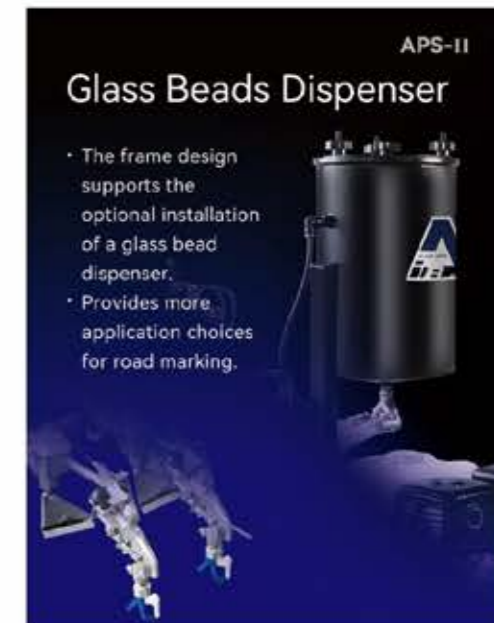
360° Self-Adjusting Front Wheel

- More flexible steering for easier operation.
- An easy method for maintaining straight-tracking.
- Dual precision bearing design ensures operational stability.



Glass Beads Dispenser

- The frame design supports the optional installation of a glass bead dispenser.
- Provides more application choices for road marking.

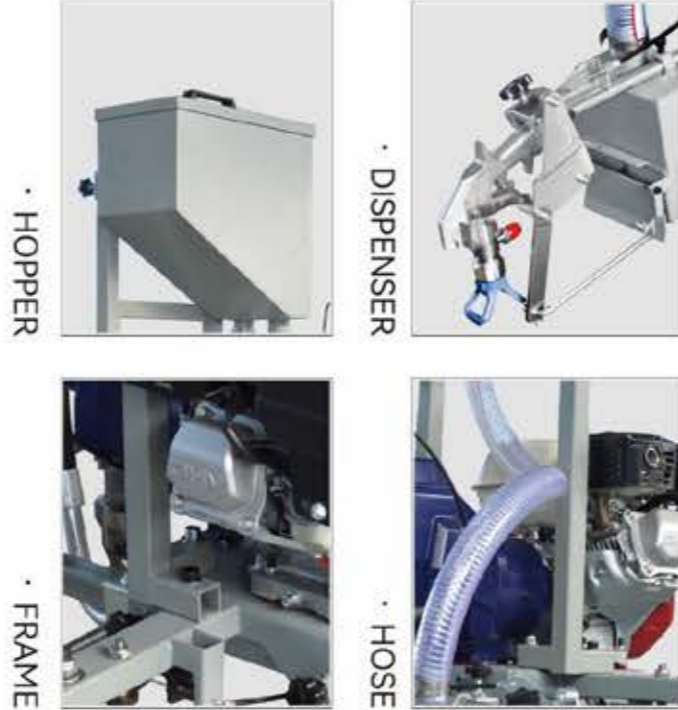


Road MARKING SPRAYER OPTIONAL

Glass Beads Dispenser Equipment



For HB 3400 Model Series

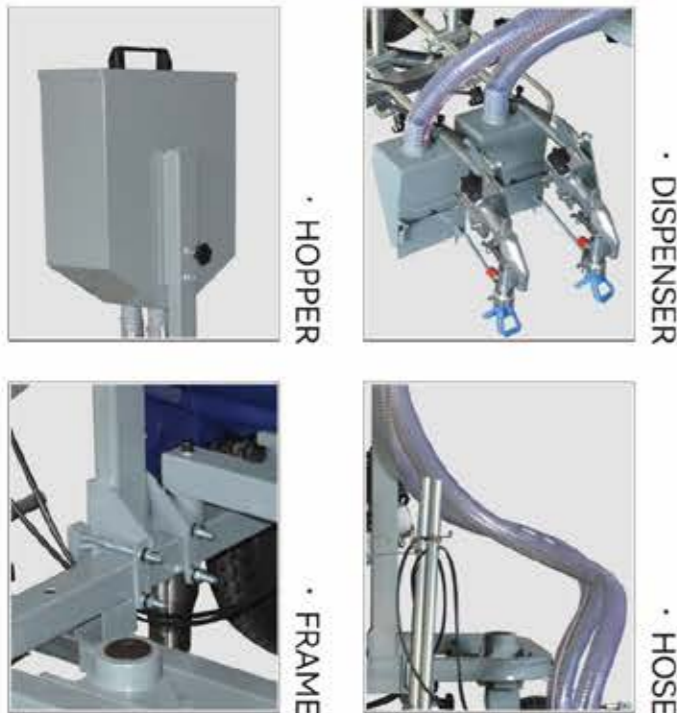


Glass Beads Dispenser Equipment

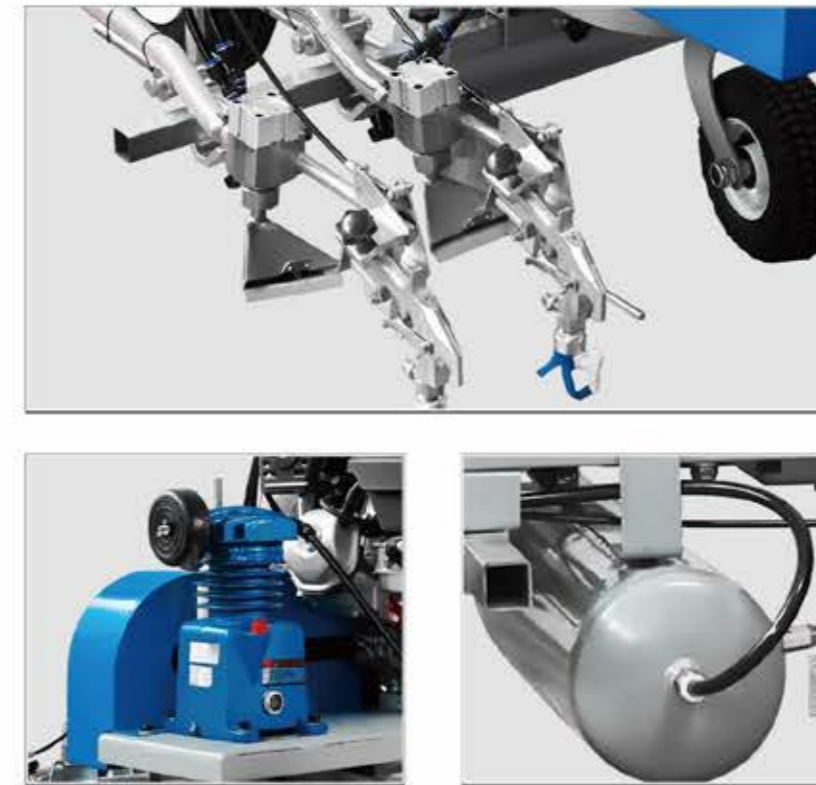
APS-II



For HP 1076 / 2076 Model Series



For HB 5900 / HP 1076 / HP2076 Model Series



Road MARKING SPRAYER OPTIONAL



Engine Line Driver Equipment

HT 3076 | For All Models

DRIVER



Model Type	Spray Type	Power Type	Dynamic Power	Flow Delivery	Working Pressure	Pump Qty.
HB 3400	Standard	Gasoline Engine (Honda GX160)	3600W/4.8HP	2.7L/min	23Mpa	Single
HB 3400 II	Twin-Pump	Gasoline Engine (Honda GX160)	3600W/4.8HP	5.0L/min	23Mpa	Dual
HB 3400 II	Twin-Pump (Pro)	Gasoline Engine (Honda GX160)	3600W/4.8HP	5.0L/min	23Mpa	Dual
EP 3495	Electric Powered	Battery	2200W/3.0HP	2.5L/min	23Mpa	Single
HB 5900	Standard	Gasoline Engine (Honda GX160)	3600W/4.8HP	5.0L/min	23Mpa	Single
HB 5900 II	Twin-Pump	Gasoline Engine (Honda GX250)	4900W/6.5HP	8.8L/min	23Mpa	Dual
HB 6800	Standard	Gasoline Engine (Honda GX200)	4900W/6.5HP	5.8L/min	23Mpa	Single
HP 1076	Standard	Hydraulic & GX270 Engine	6700W/9.0HP	9.8L/min	23Mpa	Single
HP 1076 APS-II	Upgraded (With Air-Pump-System)	Hydraulic & GX270 Engine	6700W/9.0HP	9.8L/min	23Mpa	Single
HP 2076	Twin-Pump	Hydraulic & GX270 Engine	6700W/9.0HP	9.0L/min	23Mpa	Dual
HP 2076 APS-II	Upgraded (With Air-Pump-System)	Hydraulic & GX270 Engine	6700W/9.0HP	9.0L/min	23Mpa	Dual

• POWERFUL
Honda GX200 Engine
HONDA
POWERED



• COMFORTABLE
Driving Experience



• SAFER
Warning Light



• STABLE
Hydraulic Motor



P R E C I S I O N I N E V E R Y S P R A Y

P
ARTS



RELATED **P**ARTS

SPRAY GUNS

SPRAY TIPS

PISTON PUMPS

.....

PARTS

AIRLESS S P R A Y E R

HIGH PRESSURE Airless Spray Gun

HB131 · HB 132 · HB 133 · HB 134 · HB 135 · HB 137 · AS 8000
MIX SPRAY GUN · 2K INJECTION GUN

PAINTING PROFESSIONAL

Meet Various Needs
Of Painting Jobs

Working Pressure

• Max. **5000psi**

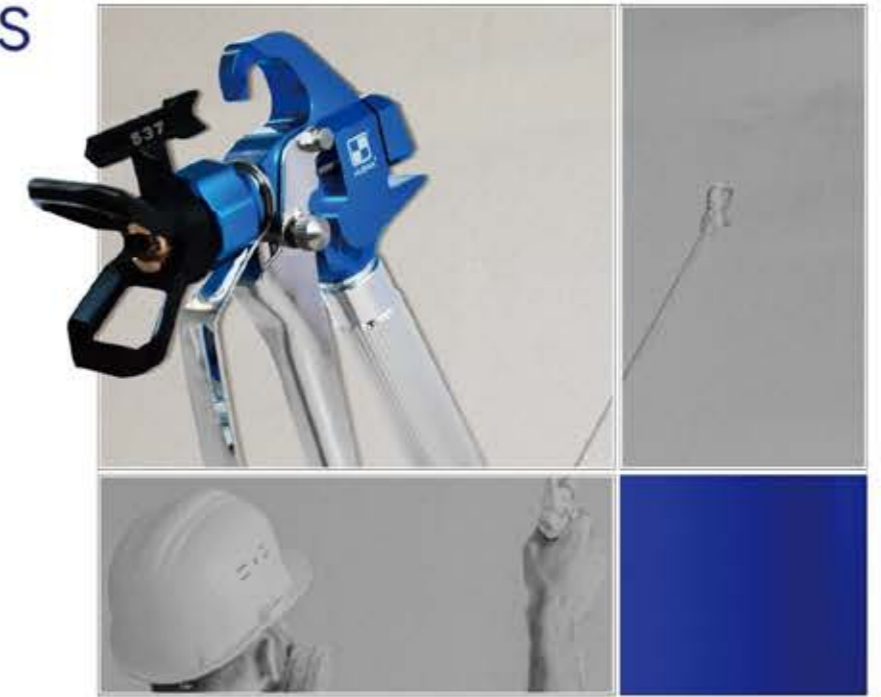


Related ACCESSORIES SPRAY GUN

Quality ASSURANCE

HVBAN High-Pressure Spray Gun is adapted to different specifications of reversible spray tips, which can be applied to spray different ranges. The design of filters makes the spray gun easy to block, and easier to replace, making it serviceable for a long time.

Besides, it is easy to remove and clean, which brings much more convenience to you. Scope of use, such as interior walls, exterior walls, wooden furniture, iron railings, various site floors, etc.



HB 131



HB 132



HB 133



HB 134



HB 135



HB 137



AS 8000



MIX GUN



2K INJECTION GUN



HIGH PRESSURE AIRLESS SPRAY GUN
HB131 · HB 132 · HB 133 · HB 134 · HB 135 · HB 137 · AS 8000
MIX SPRAY GUN · 2K INJECTION GUN

For More Details : www.hvbansprayer.com / www.airless-sprayer.com



RELATED **PARTS**
Spray GUNS

SPRAY TIPS



Name	HB 151	HB 152	HB 153	HB 154
Color	Black	Yellow	Red	Grey
Suitable For	RAC 5	For Wagner	For Titan	XHD RAC
Dimension	All Sizes	All Sizes	All Sizes	All Sizes

Crafted from durable stainless steel, you can enjoy seamless compatibility with Wagner, Titan, Atomex, Spray Chief, and Graco RAC V guns with HVBAN tips.

OTHER GUN ACCESSORIES



DUAL Fork Nozzle

- Enhanced Seal Capacity
- Double Spraying Fan



Extension Pole

- Quality Seal For Long Life Time
- Fit Most Airless Sprayer Guns



PISTON PUMP ASSEMBLY



PUMP REPAIR KIT



FILTER SCREEN



PISTON ROD



HIGH-PRESSURE HOSE



SWIVEL CONNECTOR

+ For other Spare Parts, please contact your specialized HVBAN sales consultant.



PLS scan the QR code for more INFO.